

# QST BF C

## QUEST Tap Range Quest Bath Filler Chrome



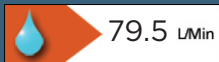
### Features:

- Long life and easy to use 1/4 turn ceramic disc valves
- Metal back nuts for added durability
- Easy to use metal handles

### Product Certifications:



WRAS Cert. Number: 1609013  
WRAS Expiry Date: 30/09/2021



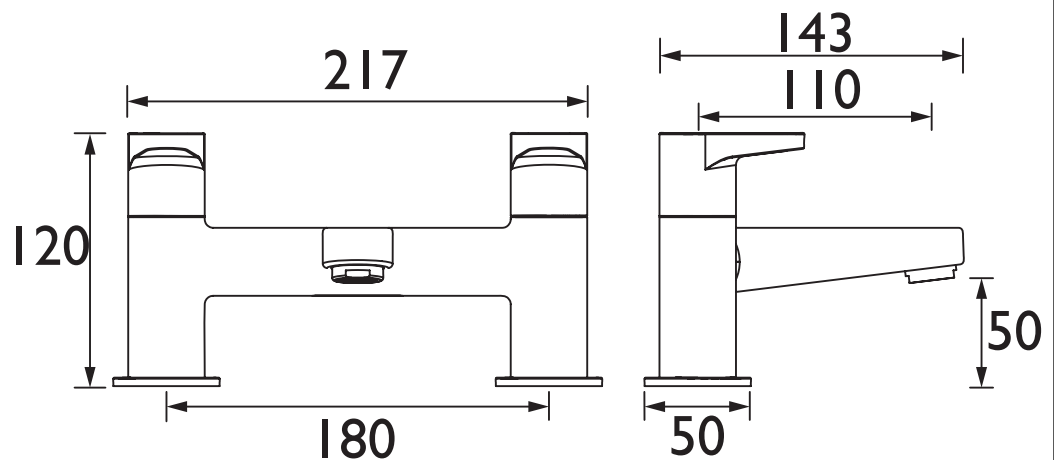
For more products, visit our website:  
<http://www.bristan.com>



### Specification

<b>Product Type:</b>	Bathroom Tap
<b>Main Construction Material:</b>	Brass
<b>Mount Type:</b>	Deck Mounted
<b>Handle Type:</b>	Lever handles
<b>Connection Inlet:</b>	3/4" BSP
<b>Connection Outlet:</b>	M24 Flow Straightener
<b>Number of Tap Holes:</b>	2
<b>Valve/Cartridge Type:</b>	3/4" Quarter Turn Ceramic Disc Valve
<b>Plumbing System Requirements:</b>	Suitable for all plumbing systems
<b>Minimum Dynamic Pressure:</b>	0.2 Bar
<b>Maximum Dynamic Pressure:</b>	5.0 Bar
<b>Maximum Hot Water Temperature: °C</b>	65
<b>Maximum Static Pressure: (bar)</b>	10
<b>Flow Type:</b>	Single Flow

### Dimensions (measurements in mm)



### Flow Rates (l/min)

System Pressure (bar)	0.2	0.5	1	2	3	5
QST BF C	20.53	32.46	45.9	64.91	79.5	102.63

## TECHNICAL DATA SHEET



# BRISTAN