

RS HNK C

RENAISSANCE Tap Range Renaissance High Neck Pillar Taps Chrome



Features:

- Long life and easy to use 1/4 turn ceramic disc valves
- Metal handles

Product Certifications:



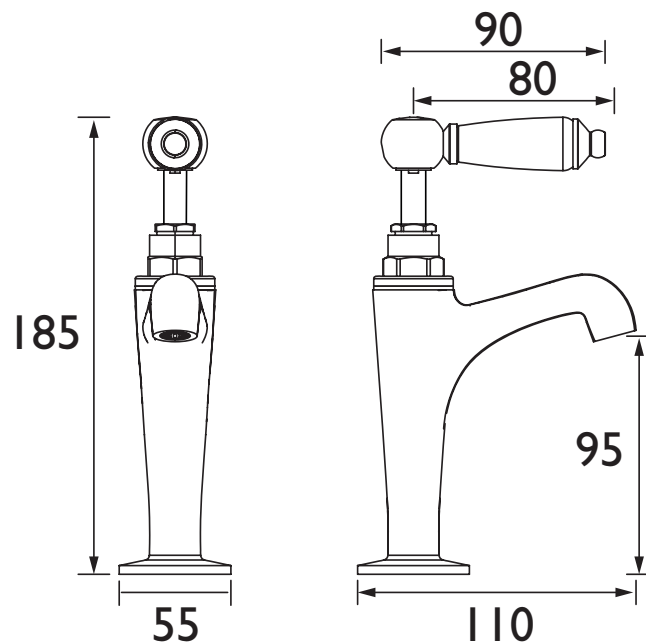
For more products, visit our website:
<http://www.bristan.com>



Specification

Product Type:	Bathroom Taps
Main Construction Material:	Brass
Mount Type:	Deck Mounted
Handle Type:	Lever Handles
Connection Inlet:	1/2" BSP
Connection Outlet:	Aerator
Number of Tap Holes:	2
Valve/Cartridge Type:	1/2" Ceramic Disc Valves - 1/4 Turn
Plumbing System Requirements:	Suitable for all plumbing systems
Minimum Dynamic Pressure (bar):	0.2 bar
Maximum Dynamic Pressure (bar):	5.0 bar
Maximum Hot Water Temperature °C:	65 °C
Maximum Static Pressure (bar):	10 bar
Flow Type:	Single Flow
Isolation Included:	No

Dimensions (measurements in mm)



Flow Rates (l/min)

System Pressure (bar)	0.2	0.5	1	2	3	5
RS HNK C (mixed)	14.9	23.6	33.4	47.2	57.9	74.4

TECHNICAL DATA SHEET



BRISTAN

D3