

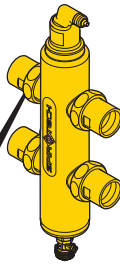



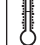
Mounting and operating instruction

For article no's starting with AX, except for AXS







18.637_04






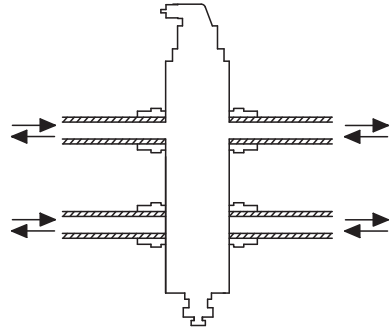
 0- ... bar
 0- ... °C


Acc.PED (2014/68/EU §4.3)

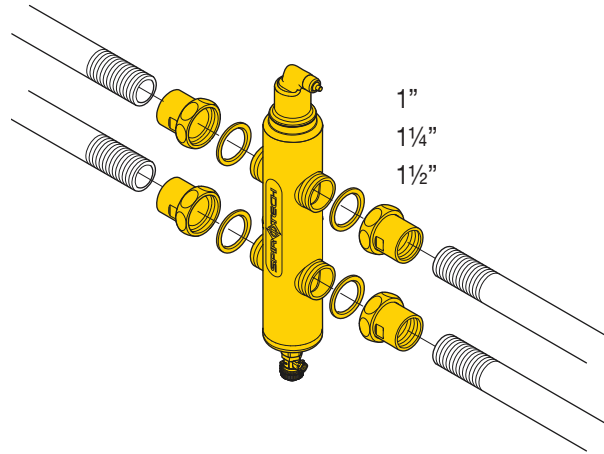




 H₂O
 20% < glycol < 50%













1"
1¼"
1½"



 0 bar



 P_{max} = 1,5 x ... bar

