

# Installation Instructions

Deck Mounted Bath Filler

# Installation Instructions

## Important - Please Read

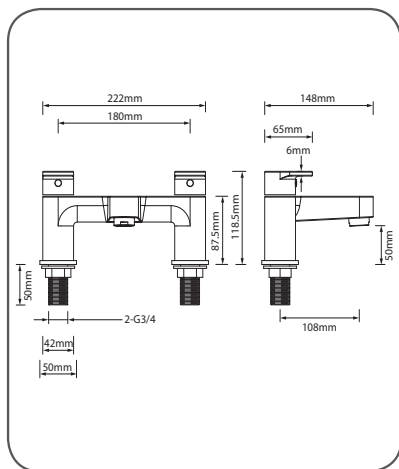
Please read these instructions carefully before starting installation and keep for future reference. Remove all packaging and check the product for missing parts or damage before starting installation. Any alterations made to this product and fittings may infringe water regulations and will invalidate the guarantee. The installation must comply with all Local/National Water Supply Authority Regulations/Byelaws and Building and Plumbing (UK:BS6700) Regulations. We strongly recommend that you use a qualified and registered plumber.

## General Installation

These fittings are mixing devices and therefore water supplies must be reasonably balanced. Where connections are made to the mains cold water supply, WRC approved single check valves must be fitted to both hot and cold inlets. This is a stated requirement of Water Supply (Water Fittings) Regulations 1999 Schedule 2, Section 6 G15.13.2 Before making any inlet pipe connections, all supply pipes **MUST** be thoroughly flushed to remove debris. Failure to do so could result in damage or low flow from the mixer unit. Water Supply (Water Fittings) Regulations 1999 Schedule 2 Section 4 G13.1 The fitting of isolating valves to the inlet feeds is advised for ease of maintenance. Please take great care when installing this mixer not to damage its surface.

## Care Of The Mixer

Our products are finished to the highest standard and due care needs to be taken to ensure their looks are retained. We recommend cleaning all products with a soft damp cloth **ONLY** and advise strongly against the use of **ALL** cleaning products, i.e. powders and liquids. If the above instructions are not followed this will invalidate your guarantee in the event of a problem occurring.



**Dimensions-  
Deck Mounted Bath Filler**

## Installation

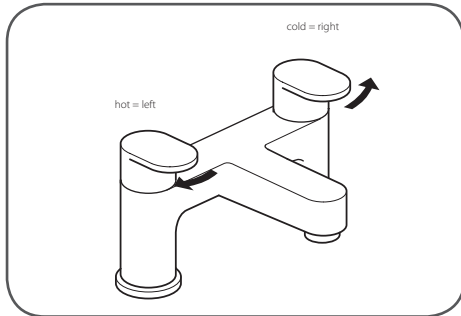
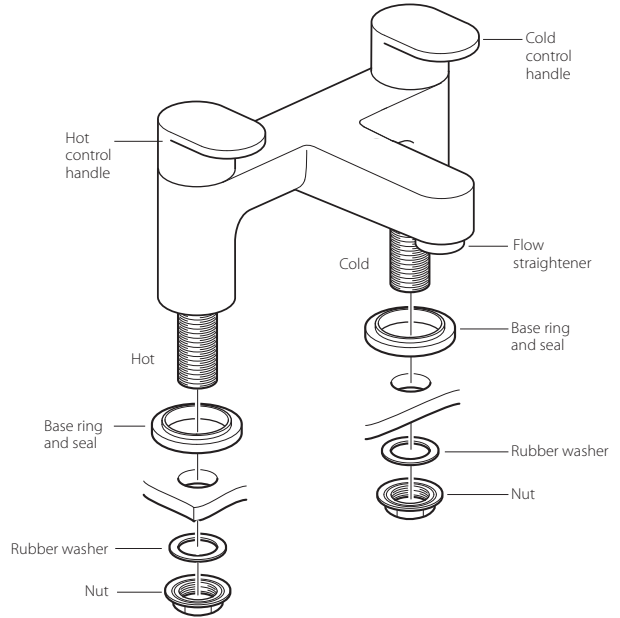
Before installing your new mixer, flush through the pipework to ensure removal of debris. Turn off the water supply.

Position the base rings onto the bottom of the mixer body making sure that the seals are in place underneath.

Position the mixer on the bath. From the underside of the bath fit the rubber washers and nuts. Tighten the nuts to clamp the mixer to the bath.

**CAUTION: Do not over tighten the nuts as this may damage the bath.**

Connect the water supply to the inlet pipes. The hot water should be connected to the left hand pipe.



## Operation

hot = left    cold = right

Moving the mixer lever upwards/downwards will increase/decrease the flow of water. Moving the mixer lever from right to left will increase the water temperature.

Due to our commitment to continuous product development we reserve the right to alter specifications without notice. Products are guaranteed against manufacturing defects for the first purchaser only and the guarantee is non-transferable. Our liability under any guarantee expressed or implied is strictly limited to replacement of defective goods or a refund at our discretion and no consequential losses will be entertained. Proof of purchase will be required.