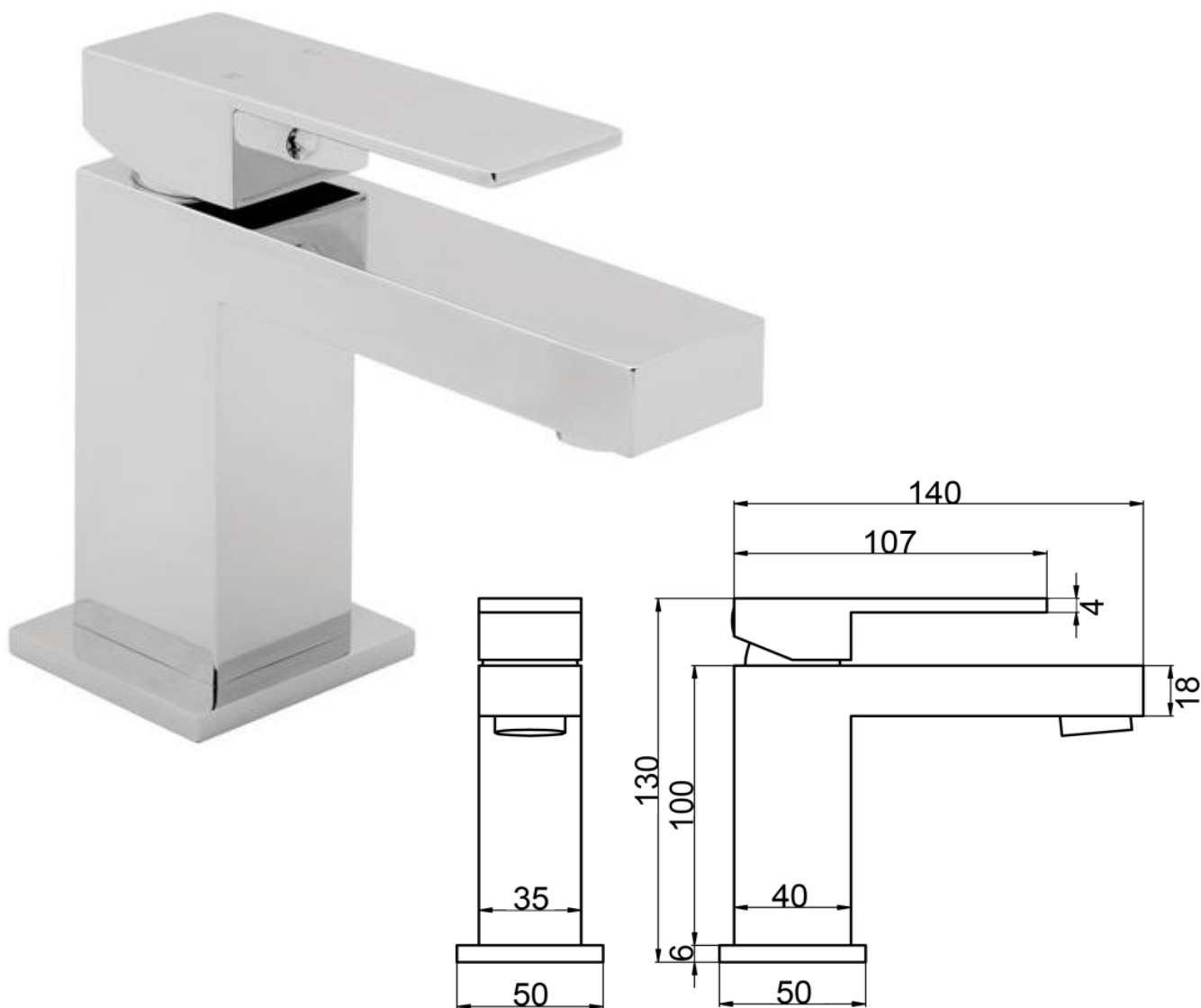


TECHNICAL DATA SHEET

PLAN Mini Mono Basin Mixer

Product Code	TBTS-26-1204
Construction	Brass Body CuZn40Pb2, EN CW617N (equivalent to BS CZ122)
Finishes	Chrome plated to BS EN 248
Product Type	Contemporary
Water Pressure	Min. 0.2 bar, Max. 6.0 bar
Plumbing Systems	Suitable for all plumbing systems
Standards	Complies with BS5412, BS EN200
Certification	Manufactured to comply with WRAS
Cartridge	SEDAL
Aerator	Neoperl Adjustable Slim Air
Fitting	M10 x 350mm ½" BSP Female Flexi Tails
Packaging	46x28.5x34.5cm/carton(8pcs), Box size: 27.5x22x8.5cm, Weight: 1.65kg
Guarantee	15 years against manufacturing faults (excluding serviceable parts).



Flow Rates (Litres per minute)

System Pressure	0.1 Bar	0.2 Bar	0.3 Bar	0.5 Bar	1.0 Bar	1.5 Bar	2.0 Bar	3.0 Bar	5.0 Bar
	1.2	1.7	-	6.1	8.7	9.7	11.3	-	-

The information contained on this page was correct at date of issue. Fitting dimensions are provided as a guide only. Some variation may occur due to manufacturing tolerances. We pursue a policy of continuing improvement in design and performance of our products and so reserve the right to change specifications without prior notice.