

# MI 1/2 C

## MILA Tap Range Mila Basin Pillar Taps Chrome



### Features:

- You really can count on Bristan taps as they are designed, engineered and tested to last with our precise glide and secure fix components plus a hard wearing luminance chrome finish, all under a 10 Year guarantee for peace of mind
- Long life and easy to use 1/4 turn ceramic disc valves
- Supplied with metal fixing nuts for added durability and to secure your tap in place
- Easy-to-use lever handles
- Suitable for high and low pressure water systems

### Product Certifications:



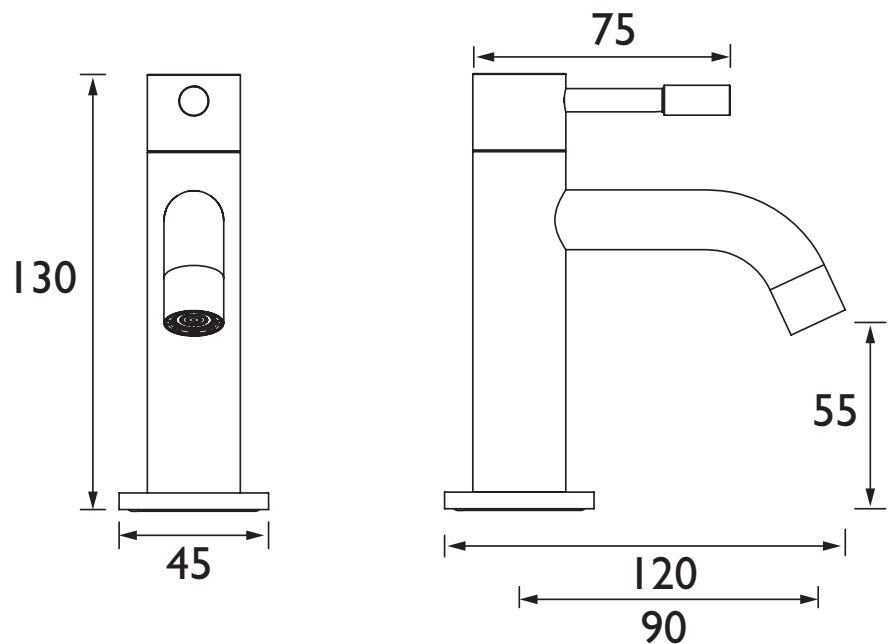
For more products, visit our website:  
<http://www.bristan.com>



### Specification

|  |                                    |
|--|------------------------------------|
| <b>Product Type:</b>                     | Bathroom Taps                      |
| <b>Main Construction Material:</b>       | Brass                              |
| <b>Mount Type:</b>                       | Deck                               |
| <b>Handle Type:</b>                      | Lever                              |
| <b>Connection Inlet:</b>                 | 1/2" BSP                           |
| <b>Connection Outlet:</b>                | Flow Straightener                  |
| <b>Number of Tap Holes:</b>              | 2                                  |
| <b>Valve/Cartridge Type:</b>             | 1/2" Ceramic Disc Valve - 1/4 Turn |
| <b>Plumbing System Requirements:</b>     | Suitable for all plumbing systems  |
| <b>Minimum Dynamic Pressure (bar):</b>   | 0.2 bar                            |
| <b>Maximum Dynamic Pressure (bar):</b>   | 5.0 bar                            |
| <b>Maximum Hot Water Temperature °C:</b> | 60°C                               |
| <b>Maximum Static Pressure (bar):</b>    | 10 bar                             |
| <b>Isolation Included:</b>               | No                                 |

### Dimensions (measurements in mm)



### Flow Rates (l/min)

| System Pressure (bar) | 0.2 | 0.5  | 1    | 2    | 3    | 5    |
|-----------------------|-----|------|------|------|------|------|
| MI 1/2 C (Cold)       | 9.6 | 14.8 | 21.0 | 29.9 | 36.3 | 47.0 |
| MI 1/2 C (Hot)        | 9.8 | 15.2 | 21.8 | 31.0 | 38.1 | 49.0 |

## TECHNICAL DATA SHEET



# BRISTAN

D1