

COB 1/2 BLK

COBALT Tap Range Cobalt Basin Taps Black



Features:

- You really can count on Bristan taps as they are designed, engineered and tested to last with our precise glide and secure fix components plus a modern black finish, all under a 10 Year guarantee for peace of mind
- A black finish that will make a statement in any bathroom
- Long life and easy to use 1/4 turn ceramic disc valves
- Supplied with metal fixing nuts for added durability and to secure your tap in place
- Metal back nuts for added durability
- Easy-to-use lever handles

Product Certifications:



WRAS Certificate No: 2005909
WRAS Expiry Date: 31/05/2025



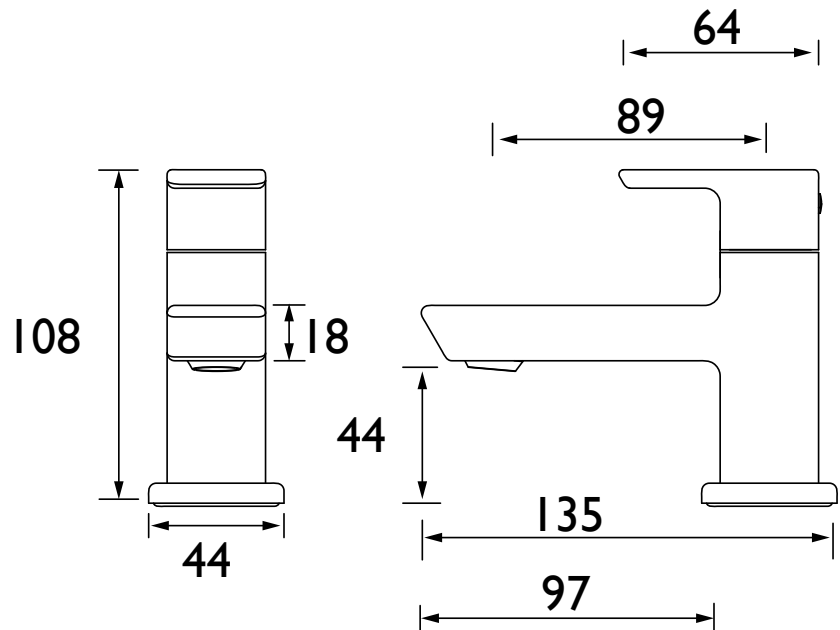
For more products, visit our website:
<http://www.bristan.com>



Specification

Product Type:	Bathroom Taps
Main Construction Material:	Brass
Mount Type:	Deck
Handle Type:	Lever
Connection Inlet:	1/2" BSP
Connection Outlet:	M18 Flow Straightener
Number of Tap Holes:	2
Valve/Cartridge Type:	1/2" Ceramic Disc Valve - 1/4 turn
Plumbing System Requirements:	Suitable for all plumbing systems
Minimum Dynamic Pressure (bar):	0.2 bar
Maximum Dynamic Pressure (bar):	5 bar
Maximum Hot Water Temperature °C:	65°C
Maximum Static Pressure (bar):	10 bar
Isolation Included:	No

Dimensions (measurements in mm)



Flow Rates (l/min)

System Pressure (bar)	0.2	0.5	1	2	3	5
COB 1/2 BLK (Cold)	7.5	11.8	16.7	23.7	29	37.4
COB 1/2 BLK (Hot)	7.4	11.6	16.5	23.3	28.5	36.8

TECHNICAL DATA SHEET



BRISTAN

D2