

# BoilerMag<sup>XC</sup><sup>TM</sup>

Dual Flow System Filter

## Extra-Compact Design

- Protects heating systems
- Simple installation & servicing
- Non-block design



**SPEAR &  
JACKSON**

[www.boilermag.com](http://www.boilermag.com)

# BoilerMag<sup>XC</sup>

Dual Flow System Filter

## THE COMPACT FILTER WITH DUAL FLOW TECHNOLOGY



- Protects heating systems from black iron oxide
- Extra-compact design, ideal for restricted spaces
- Dual Flow action maximises collection, minimises size
- Simple “in-line” installation
- Supplied with traditional isolation valves
- Can be installed on horizontal or vertical pipework
- Non-block magnetic configuration
- The cost-effective choice for domestic properties
- A requirement of BS7593:2019

### **BoilerMagXC packs performance into a small space.**

It's patented Dual Flow design means system water is exposed to the magnet twice on a single pass. This means the size of the extraction chamber is minimised resulting in better filtration performance.

It features a simple “in-line” installation and includes high-quality isolation valves.

Cleaning can be done quickly and easily by simply removing the magnet sleeve and rinsing.

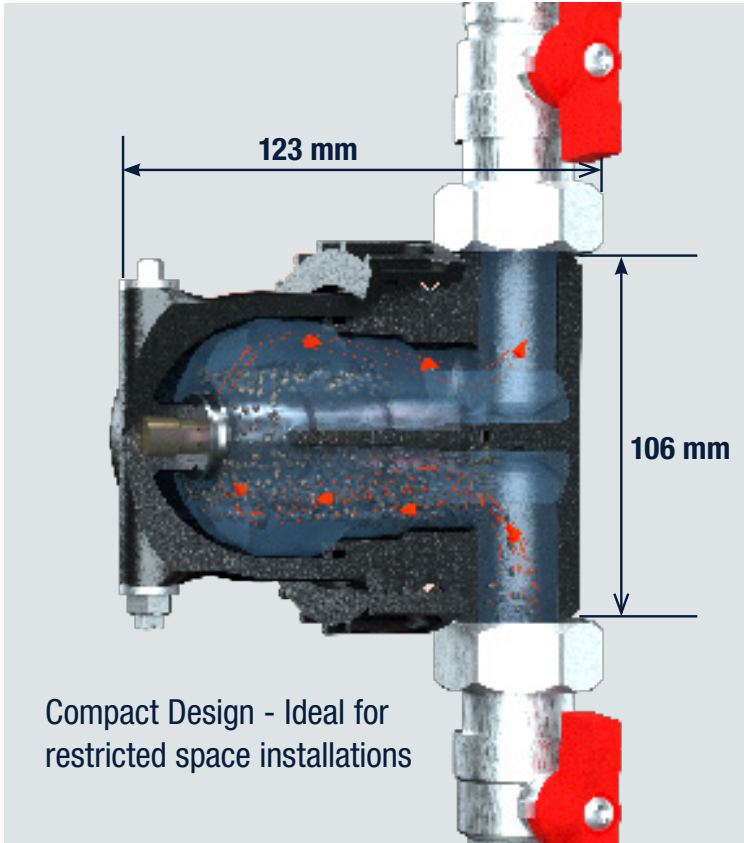




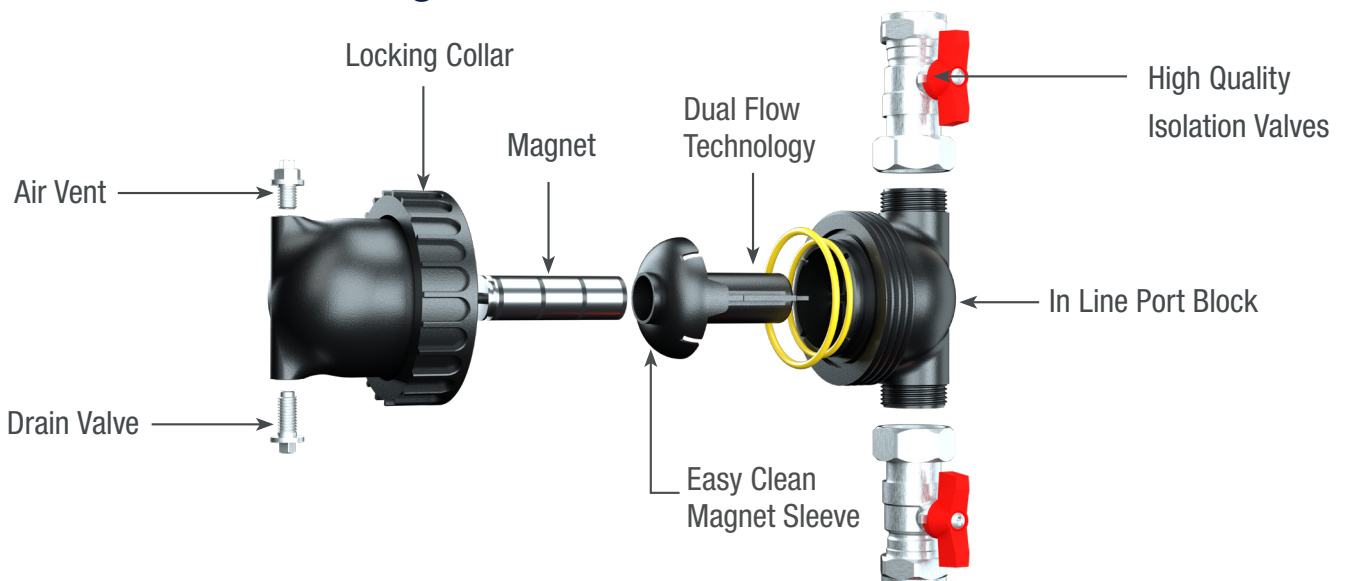
# IDEAL FOR RESTRICTED SPACE INSTALLATIONS

## Patented Dual Flow Technology

System water is exposed to the magnet twice on a single pass improving filtration



**BoilerMagXC has been designed for durability and ease of installation & servicing**



# TRY OUR SYSTEM TREATMENT RANGE

## BM1 INHIBITOR

Premium protection against corrosion and scale

- Borate and phosphate free
- Compatible with all leading boiler types
- Available in 500ml, 5,10 and 23 litre containers
- A requirement of BS7593:2019



## BM3 CLEANER

Fast acting formula for effective system flushing

- Low toxicity, environmentally friendly
- Compatible with all leading flush equipment
- Available in 500ml, 5,10 and 23 litre containers
- A requirement of BS7593:2019



## ELECTROLYTIC SCALE REDUCERS



- Minimises limescale deposition
- Available in 15 and 22mm sizes



## WATER TEST KITS

- Dosage level test strips
- Laboratory analysis kits
- For analysis and treatment diagnosis



**We also offer larger Domestic, Commercial & Industrial filters**

To find out more about the Boilermag range visit [www.boilermag.com](http://www.boilermag.com) or contact us at [info@boilermag.com](mailto:info@boilermag.com) or phone 0114 225 0624