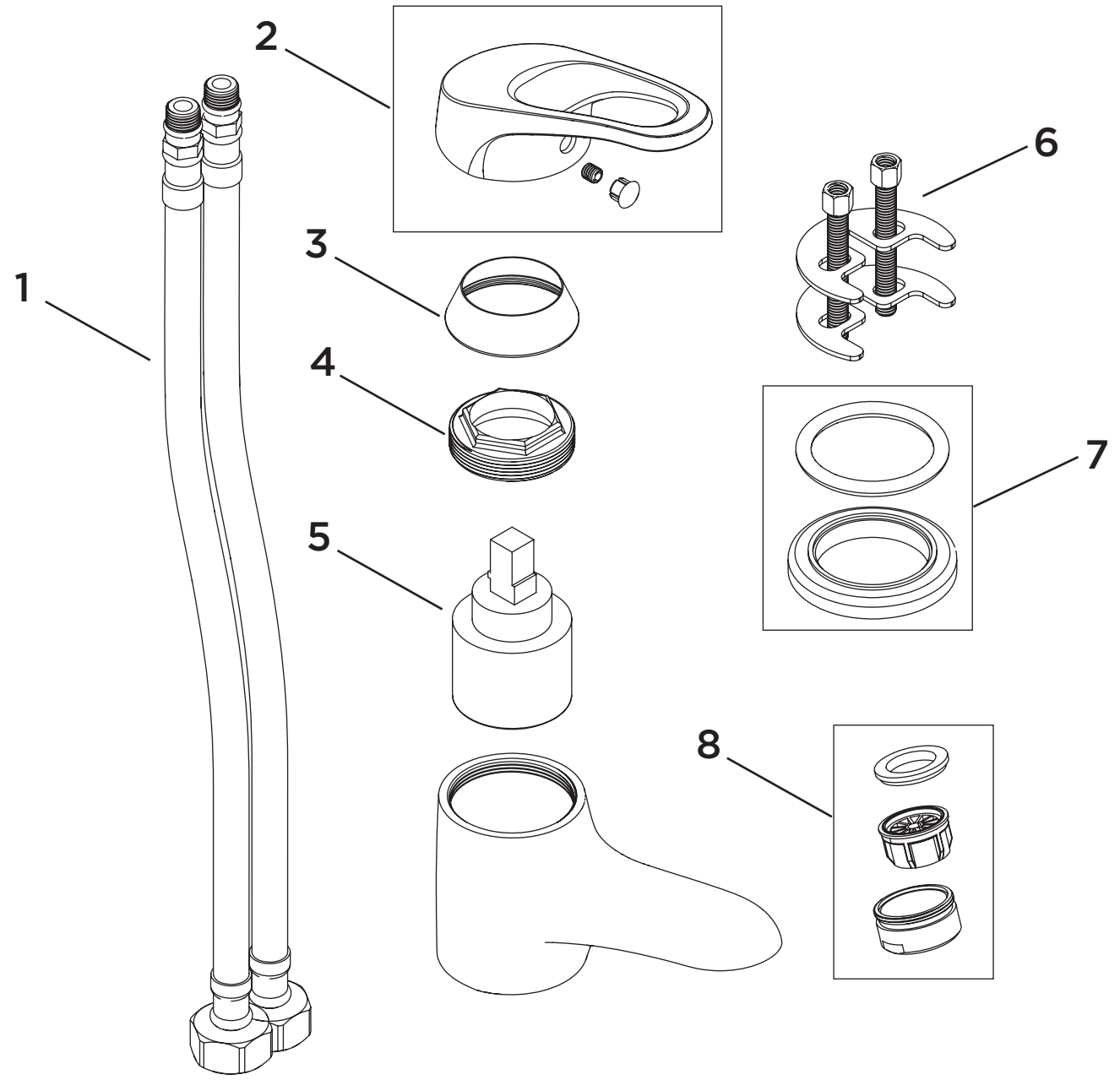


**Product Code:** IRS BAS C  
**Revision:** D1



1	Flexi Tails
2	Handle Assembly
3	Shroud
4	Cartridge Retaining Nut
5	Lever Cartridge
6	Fixing Kit
7	Plinth and Washer
8	M24 Flow Straightener