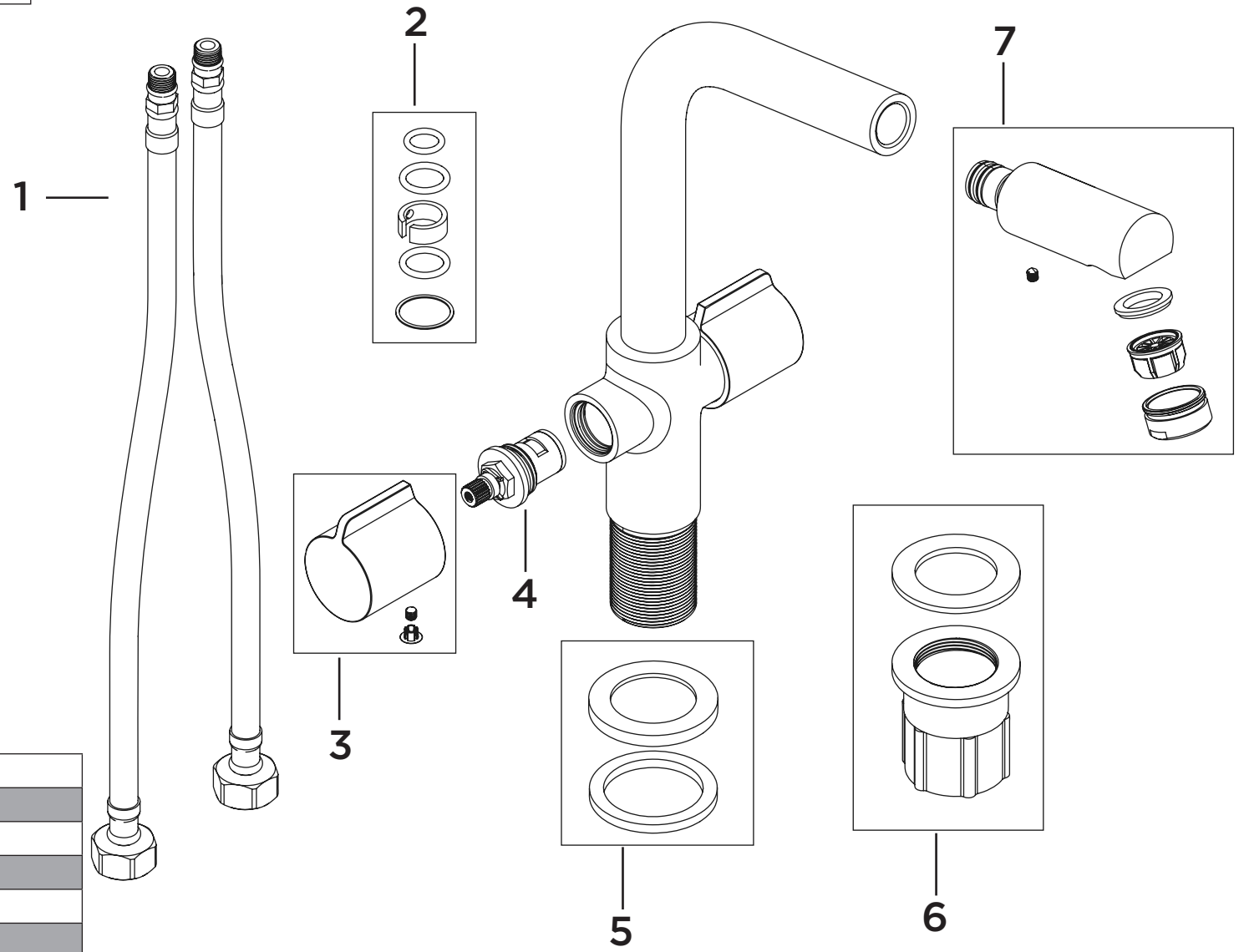


Product Code: PI SNK C**Revision:** D1

| | |
|---|-----------------|
| 1 | Flexi Tails |
| 2 | Spout Seals Kit |
| 3 | Handle Assembly |
| 4 | Cartridge |
| 5 | Plinth & Washer |
| 6 | Fixing Kit |
| 7 | Outlet Assembly |