

# W BASIN04 C

## Wastes Round Clicker Basin Waste Slotted Chrome



### Specification

Contemporary or Traditional:	Contemporary
Main Construction Material:	Brass
Connection Inlet:	G1 1/4"
Waste Flow Rate (litres per minute):	46.6
What's in the Box?:	1x Waste Body, 1x Metal Backnut, 1x Clicker Mechanism, 1x Clicker Washer, 1x Rubber Washer, 1x Foam Washer

### Features:

- Solid brass construction
- Metal back nut for added durability

### Product Certifications:

Compliant to BS EN 274

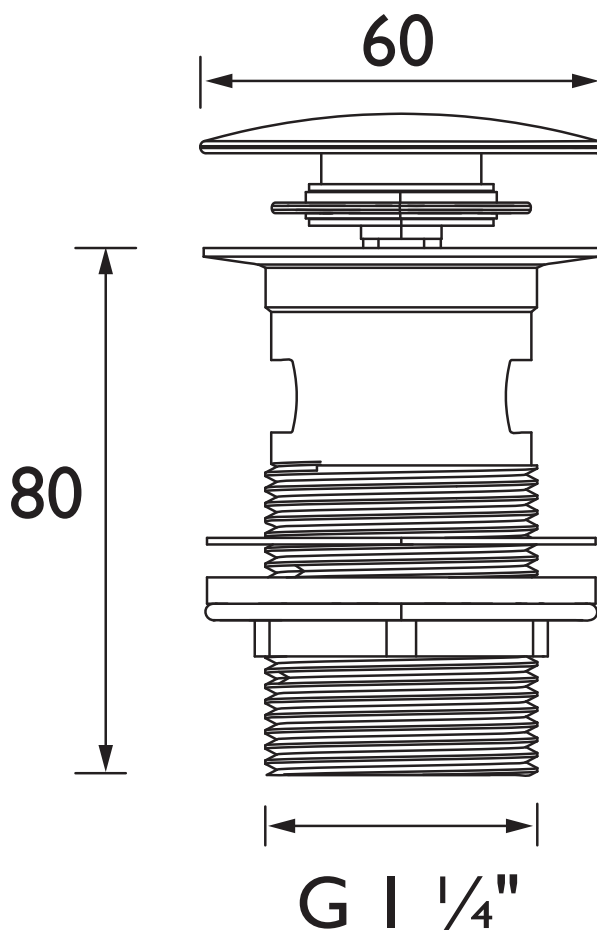
### Variant SKUs:

- W BASIN04 G
- W BASIN04 BLK

For more products, visit our website:  
<http://www.bristan.com>



### Dimensions (measurements in mm)



TECHNICAL  
DATA  
SHEET



BRISTAN

D3