

# BUZ SHXDIVCTFF BLK

## BUZZ Shower Range Buzz Adjustable Rigid Riser Diverter Bar Shower Black



### Features:

- A black finish that will make a statement in any bathroom
- Supplied with our award winning Wallmount 12 fixing kit with integral isolation, making installing, maintaining and replacing bar showers fast and easy
- Dual control - Flow and temperature are controlled separately giving accurate control of both.
- Thermostatic cartridge with preset temperature stop at 38°C to eliminate the ability to select an unsafe temperature and can be adjusted up to a maximum of 43°C.
- All in one box - Includes hose, height adjustable riser rail and a rub-clean anti-limescale shower rose and multi-function handset so nothing to buy separately

### Product Certifications:



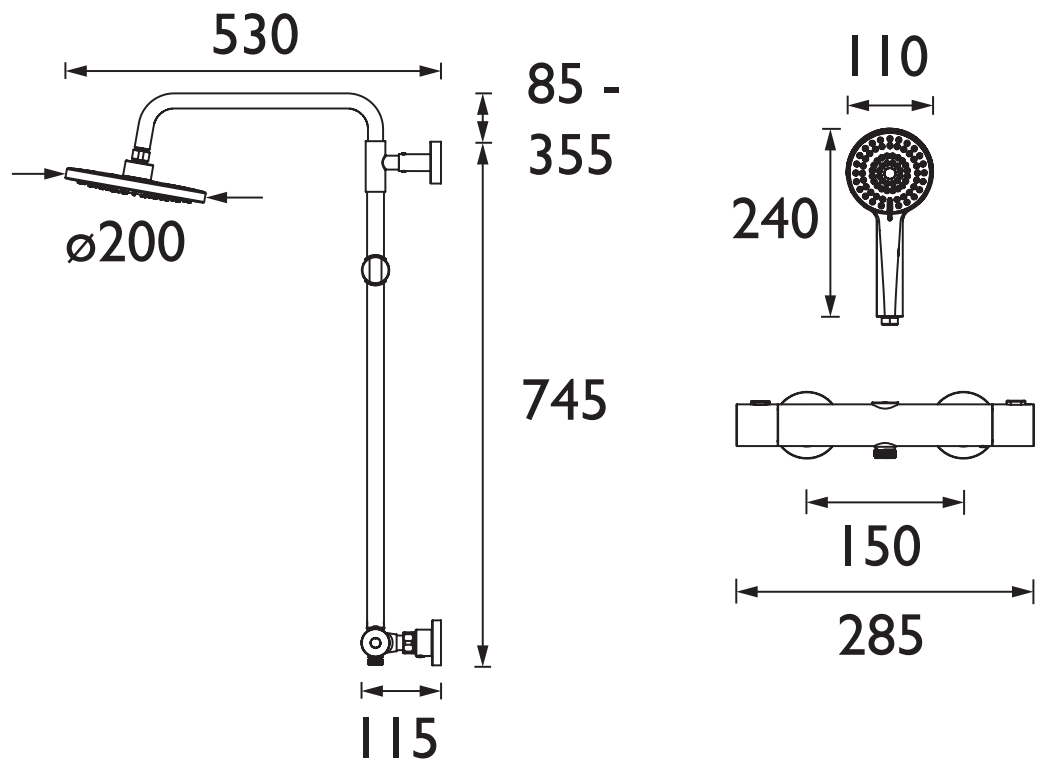
For more products, visit our website:  
<http://www.bristan.com>



### Specification

Product Type:	Bar Mixer Shower
Main Construction Material:	Zinc Alloy; ABS
Connection Inlet:	1/2" Compression
Connection Outlet:	G1/2" & Riser Outlet
Number of Controls:	2
Flow Control Valve Type:	25mm Cartridge
Plumbing System:	Suitable for high pressure systems
Minimum Dynamic Pressure: (Bar)	1.0
Maximum Dynamic Pressure: (Bar)	5.0
Maximum Static Pressure: (Bar)	10
Maximum Hot Water Temperature: (°C)	65
Pre-set Outlet Temperature: (°C)	38
Isolation Included:	Yes
Check Valve Supplied:	Yes
Shower Kit:	Adjustable Rigid Riser Shower Kit

### Dimensions (measurements in mm)



### Flow Rates (l/min)

System Pressure (bar)	1	2	3	4	5
Through Handset (mixed)	7.1	10.4	12.8	14.9	16.8
Through Fixed Head (Mixed)	8	11.8	14.7	17.1	19.3

TECHNICAL  
DATA  
SHEET



**BRISTAN**

D1