

EASI-PLAN®

Recessed Fitting Plate 3/4"

ref: EPFP-05-1505

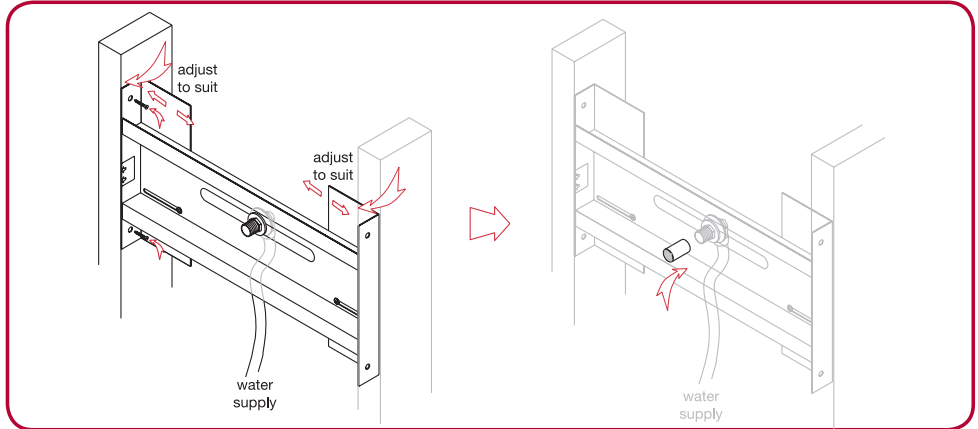
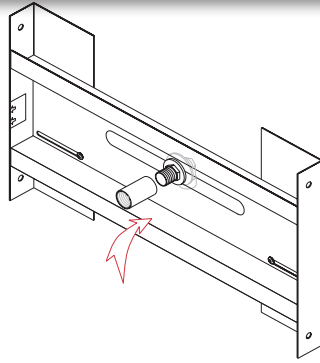
For Installation of:

- Bath Spouts

Note: 340 - 400mm Adjustment

Checklist of Parts

- 1x Adjustable Fitting Plate
- 1x Pre Fitted Brass Elbow & Washer
- 1x 3/4" Female Brass Socket
- 1x Plastic Debris Stopper



Step 1

Firstly adjust the frame width to suit your timber or metal studwork, then simply secure the frame to the studwork via the three holes provided on either side.

Note: Please ensure the front plate of the frame is flush with the front of the studwork

Step 2

The brass elbow can be loosened and slid along the plate in order to centralize it in relation to the sanitaryware if required.

Step 3

Fit the 3/4" female brass socket on to the brass elbow to make a water tight joint with PTFE tape.

Step 4

Connect your water pipe to the 1/2" female connector at the rear of the plate. The frame is now ready for plaster boarding and tiling.

Step 5

Following tiling, remove the plastic debris stopper and fit your appliance as required.

Note: If required you can slide the elbow along the fitting plate. However, you must remember to secure the elbow at the rear.

If you require any assistance or advice, please contact the Helpline on 0845 8 50 50 40

Abacus House,
Jubilee Court, Copgrove, Harrogate, HG3 3TB, UK
t: 0845 8 50 50 40 f: 0845 8 50 50 30
e-mail: info@abacusdirect.co.uk

www.abacusdirect.co.uk

 **abacusdirect**
MANUFACTURING INNOVATION