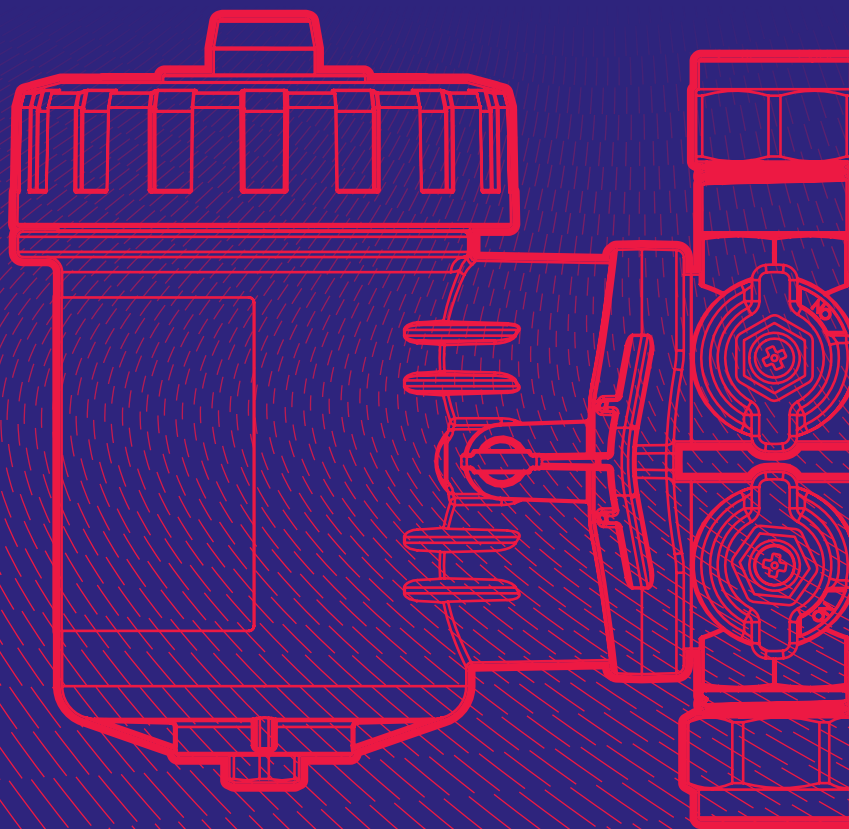


ADEY®

MagnaClean®

Micro2

Installation and servicing



THE QUEEN'S AWARDS
FOR ENTERPRISE
INNOVATION
2017

THE QUEEN'S AWARDS
FOR ENTERPRISE
INTERNATIONAL TRADE
2018

MagnaClean Micro2®

MagnaClean Micro2 is a compact filter delivering exceptional protection for domestic central heating systems.

Important

The following instructions are designed to support engineers in the safe and effective installation and servicing of *MagnaClean Micro2* and should be followed at all times. It is recommended that the filter is installed by a qualified heating engineer. The lid seal should be checked for wear when servicing *MagnaClean*®. It is Best Practice to replace the lid seal at each service. To arrange replacements please visit adeyspares.co.uk or contact the ADEY Team on +44 (0)1242 546717.

CAUTION:



MagnaClean filter contains a strong magnet. Keep away from all electrical devices, bank cards and other magnetic devices.



MagnaClean filter contains a strong magnet. Caution should be taken at all times when handling if you have a pacemaker fitted.



MagnaClean filter is a pressurized device. Always release pressure before servicing.



Unit may be hot in operation. Handle with care.

IMPORTANT - Always follow the electrical and safety standards when installing a *MagnaClean* filter ensuring pipework is appropriately earth bonded either side of the filter.

For the most up to date version of the *MagnaClean Micro2* Installation and Servicing instructions visit adey.com. Warranty Terms & Conditions can be found at adey.com

Maximum working pressure: 6 bar

Maximum working temperature: 95°C

Flow rate: <50 l/min

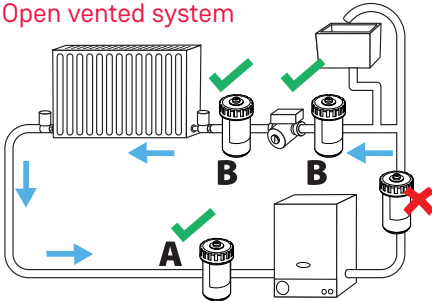
Inlet: Bi-directional

Always re-dose the system with a suitable Protector such as ADEY MC1+® or MC1+ Rapide® Central Heating System Protector

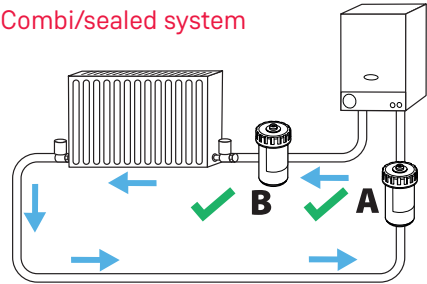
Installation overview

MagnaClean Micro2 can be installed anywhere before the boiler. To achieve the best level of protection, it is recommended that the filter is fitted after the last radiator and before the boiler. This also ensures a system flush can be carried out using a MagnaCleanse® on the return (position A only).

Open vented system

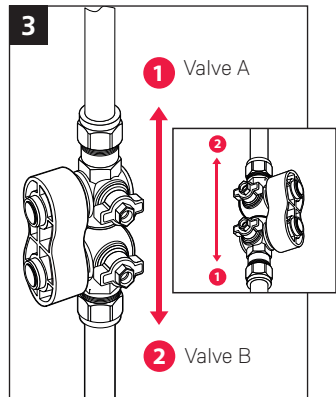
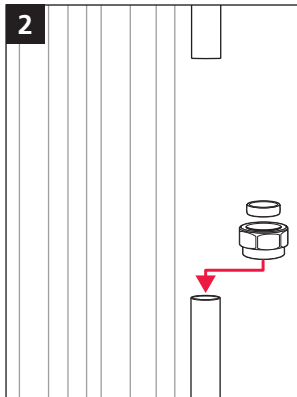
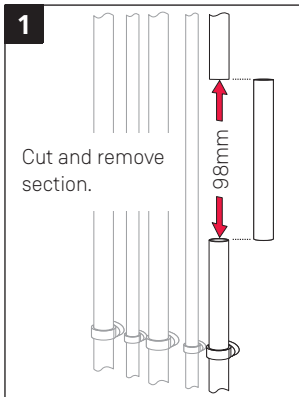


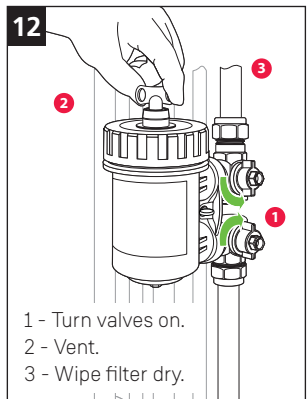
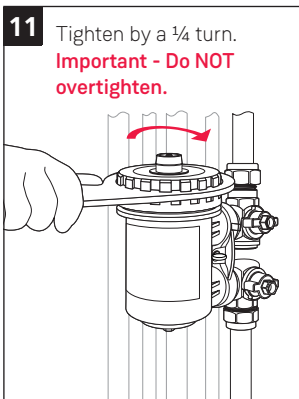
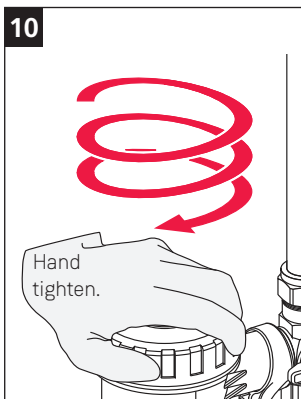
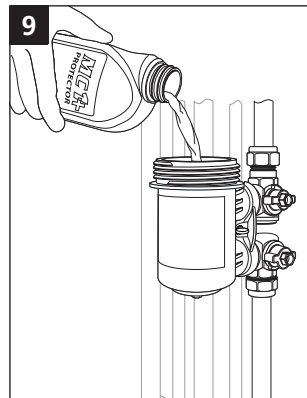
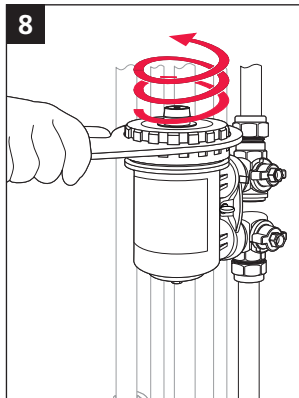
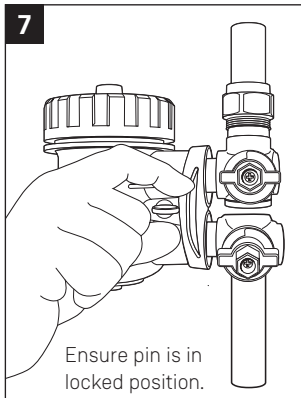
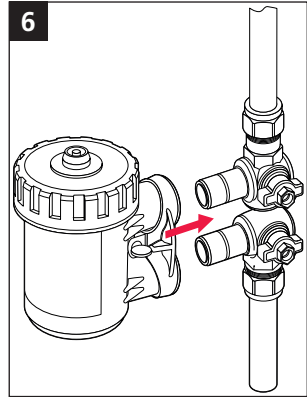
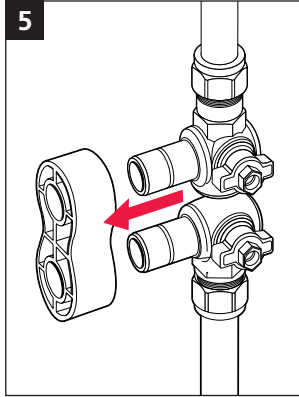
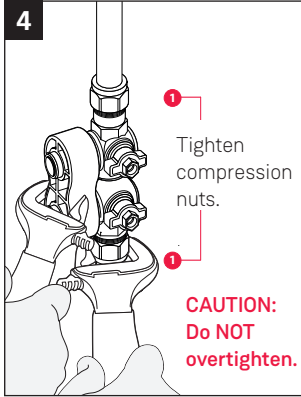
Combi/sealed system



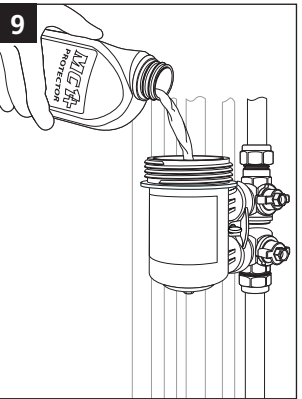
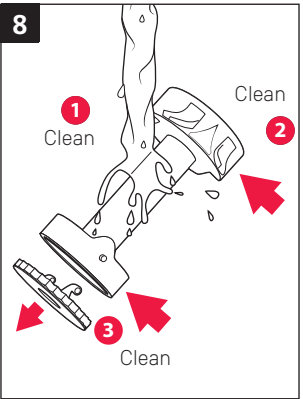
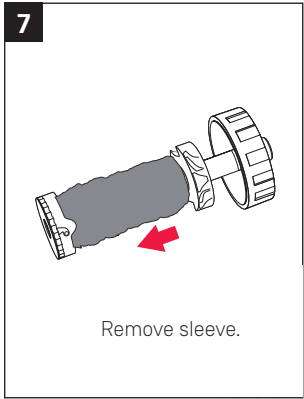
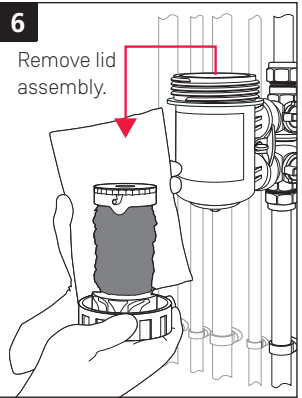
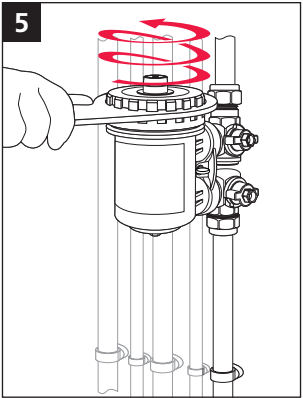
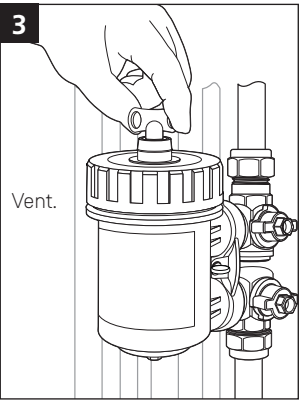
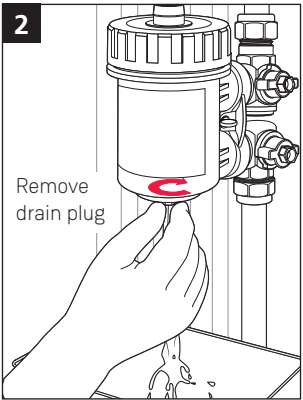
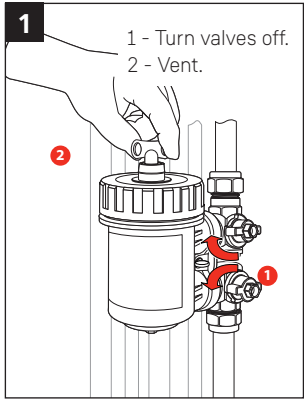
Note: In both diagrams, position A is best practice, Position B is suitable if space is tight on the return.

New filter installation - Always ensure the filling loop is fitted after the filter.

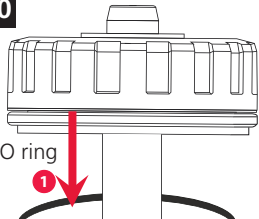




Servicing



10

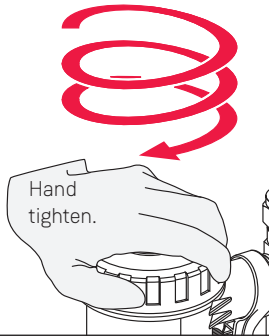


The lid seal should be cleaned and checked for wear when servicing *MagnaClean*. It is Best Practice to replace the lid seal at each service.

Only use Silicon grease or water to lubricate O ring.

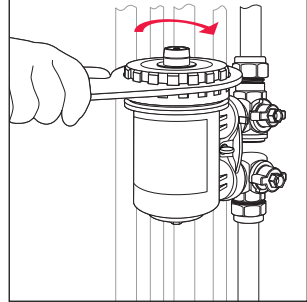
Do not use flux or EP grease.

11

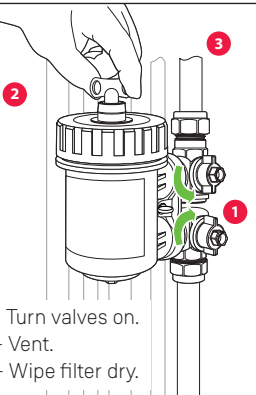


12

Tighten by a ¼ turn.
Important - Do NOT overtighten.



13



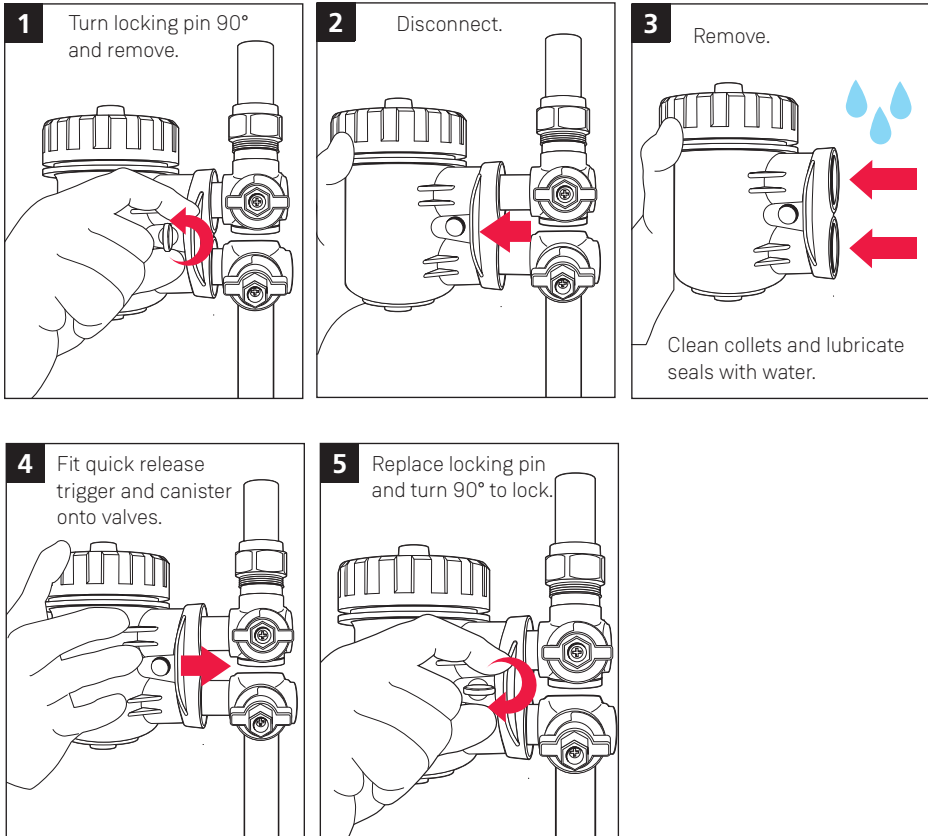
- 1 - Turn valves on.
- 2 - Vent.
- 3 - Wipe filter dry.

Quick-release trigger

MagnaClean Micro2 incorporates a secure, quick-release, trigger which enables the filter to be removed and reinstalled in seconds. The connections enable easy and swift filter removal during servicing or to undertake a *MagnaCleanse* system flush. This also makes it ideal for systems where there is little room to install a filter.

The following instructions are designed to support engineers in the safe and effective servicing of *MagnaClean Micro2* using the quick-release trigger.

Note: Follow servicing steps 1, 2, 3 and 4 before following Quick-release trigger steps below.





Clean



MagnaCleanse



MagnaClean



Protect



Test



Maintain[®]

ADEY[®]

Telephone: +44 1242 546717 Email: info@adey.com

www.adey.com



Produced from recycled material
A carbon neutral company

All ADEY marks are trademarks of Adey Holdings (2008) Limited. Please visit adey.com/trademarks for a list of ADEY marks
Copyright Adey Holdings (2008) Limited © 2019. All rights reserved.

AM05902_LF2-01-04727_V1