

# RS2 BAS C

## RENAISSANCE Tap Range

Renaissance 2 Basin Mixer Chrome  
With Pop-Up Waste



### Features:

- Uniquely designed Timeless detailing for traditional bathrooms.
- Hand-finished handles using precision watchmaker techniques.
- Long life and easy to use 1/4 turn ceramic disc valves

### Product Certifications:



WRAS Certificate No: 2206905  
WRAS Expiry Date: 30/06/2027



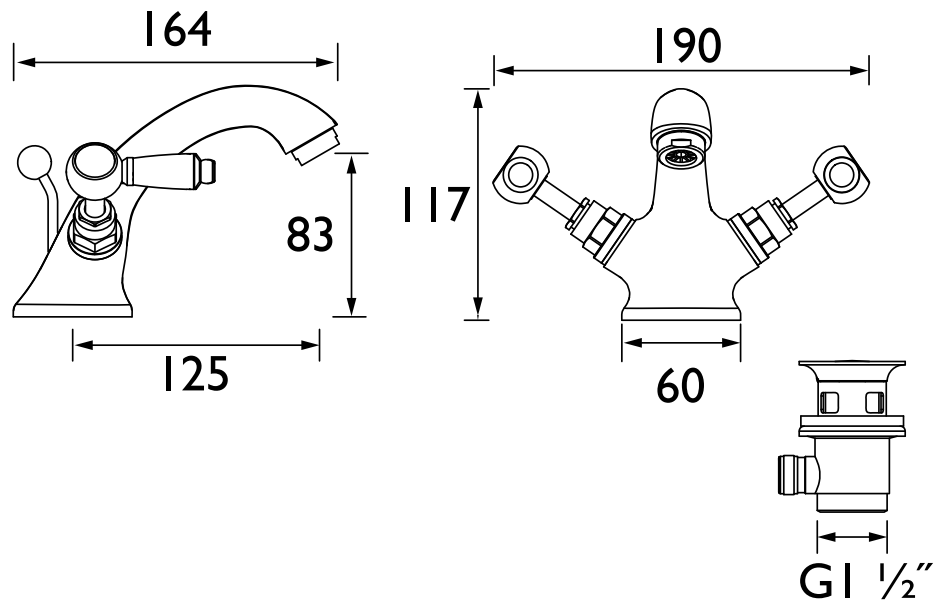
For more products, visit our website:  
<http://www.bristan.com>



### Specification

Product Type:	Bathroom Taps
Main Construction Material:	Brass
Mount Type:	Deck Mounted
Handle Type:	Lever Handle
Connection Inlet:	M12 X 265mm Copper Tails
Connection Outlet:	M24 Flow Straightener
Number of Tap Holes:	1
Valve/Cartridge Type:	1/2" Ceramic Disc Valve - 1/4 turn
Plumbing System Requirements:	Suitable for all plumbing systems
Minimum Dynamic Pressure:	0.2 bar
Maximum Dynamic Pressure:	5.0 bar
Maximum Hot Water Temperature: °C	65
Maximum Static Pressure: (bar)	10
Flow Type:	Single Flow
Isolation Included:	No
Check Valve Supplied:	No

### Dimensions (measurements in mm)



### Flow Rates (l/min)

System Pressure (bar)	0.2	0.5	1	2	3	5
RS2 BAS C (mixed)	4.4	7.8	11.6	16.8	20.8	26.9

TECHNICAL  
DATA  
SHEET



**BRISTAN**

D4