

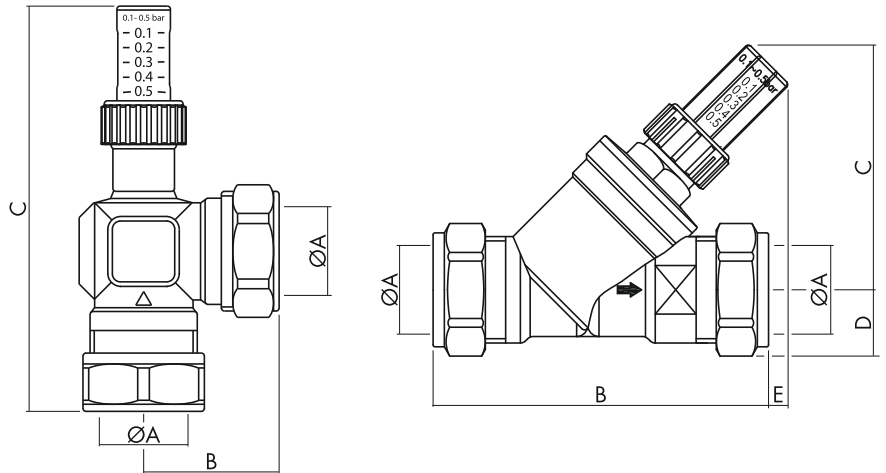


## Product

**ABPA401022 - Automatic differential by-pass valve angled 22mm**  
**ABPS402022 - Automatic differential by-pass valve straight 22mm**  
**ABPA28CP - Automatic differential by-pass valve angled 28mm**  
**ABPS28CP - Automatic differential by-pass valve straight 28mm**

## Technical Specification

**Min Inlet Pressure (dynamic):** 10 Bar  
**Max Inlet Temperature:** 100 °C  
**Flow Capacity:** 1 to 5m<sup>3</sup>/hour  
**Differential Pressure Range:** 0.1 to 0.5 Bar



Product Code	ØA	B	C	D	E
ABPA401022	22	36	107	-	-
APBA28CP	28	38.5	104.8	-	-
ABPS402022	22	90	66.5	16.5	5
APBS28CP	28	77	69	21.75	-

## Additional Information

Automatically stabilises flow through the system

Prevents the pump from pushing against a closed head, protecting the system

Clear, easily adjustable dial

Available in 22 or 28mm in a straight or angled style

Allows the system to still circulate, even if the radiators are closed

## Flow chart and Kv values

