

# TS600 Appstat

The new SALUS TS600 Appstat is the latest addition to the SALUS Smart Home range. The TS600 has all the features of a traditional programmable thermostat but is uniquely controlled via the SALUS Smart Home app from a Smartphone, Tablet or PC.



The sleek and in-obtrusive design makes the TS600 an ideal solution for locations which demand discrete controls while still ensuring optimum heating comfort.

Likewise the remote only interface makes the TS600 Appstat perfect for managed properties that prefer to avoid local user intervention.



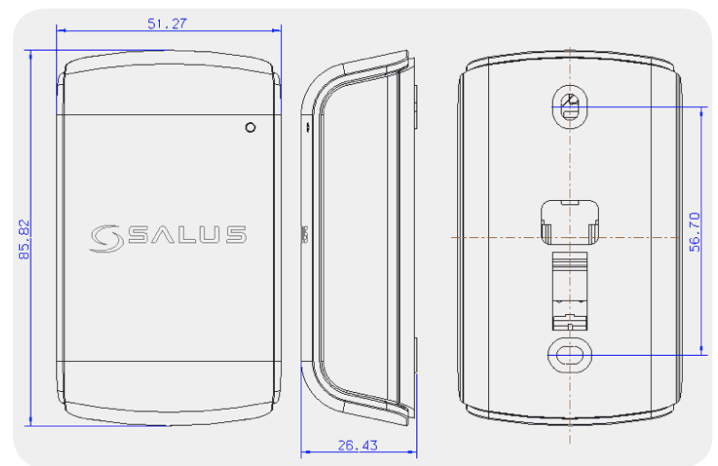
**SALUS**  
CONTROLS

[www.salus-tech.com](http://www.salus-tech.com)

Features	Benefits
Sleek and inobtrusive Design	Ideal for discrete installations whilst still allowing full featured heating zoning
App only Interface	No local user interface, perfect for use in Public buildings or institutions where no local user intervention is preferred. Allows for a more cost-effective system solution where multiple zones are required
Full featured functionality	Includes all standard SALUS Smart Home thermostat functionality including Smart Radiator Control (TRVs) in a simplified package
Smart Home integration	Simple and quick to setup. Simply adds on to existing SALUS Smart Home System via the Connection Gateway
Control via the SALUS Smart Home app	Control your heating and other devices from anywhere using a Smartphone, Tablet or PC
Clear and easy to use	Provides simple zoned control of heating system suitable for all users
5 year warranty	For maximum peace of mind

## Terminal Definition

Supply:	2 x AA Alkaline batteries
RF Frequency:	Zigbee 2.4 Ghz
Scale:	5-35°
Size (mm):	H:85, W:51, D:26



## Optional Sensor Wiring

S1	External sensor (optional)
S2	External sensor (optional)

Part Number	Description
TS600	Appstat

## Smart Home App

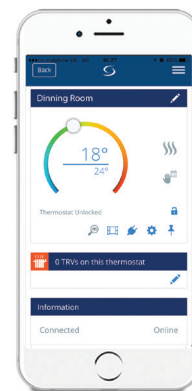
The Smart Home App is available on IOS and Android. With easy to use functions and simple to add heating schedules.



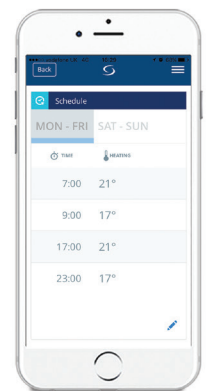
Easy to manage icons



Easy to control



Easy to edit settings



Simple to set up schedules