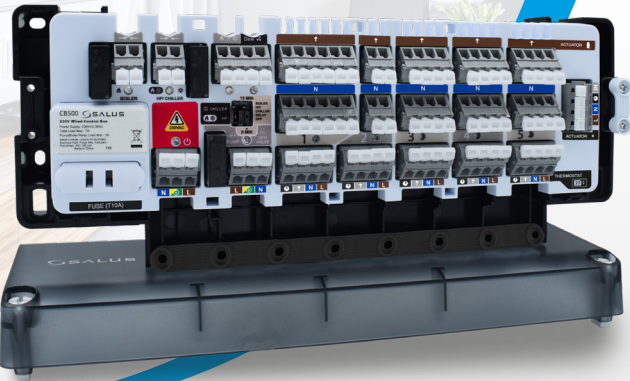


CB500

Control box (5 zones) 230 V

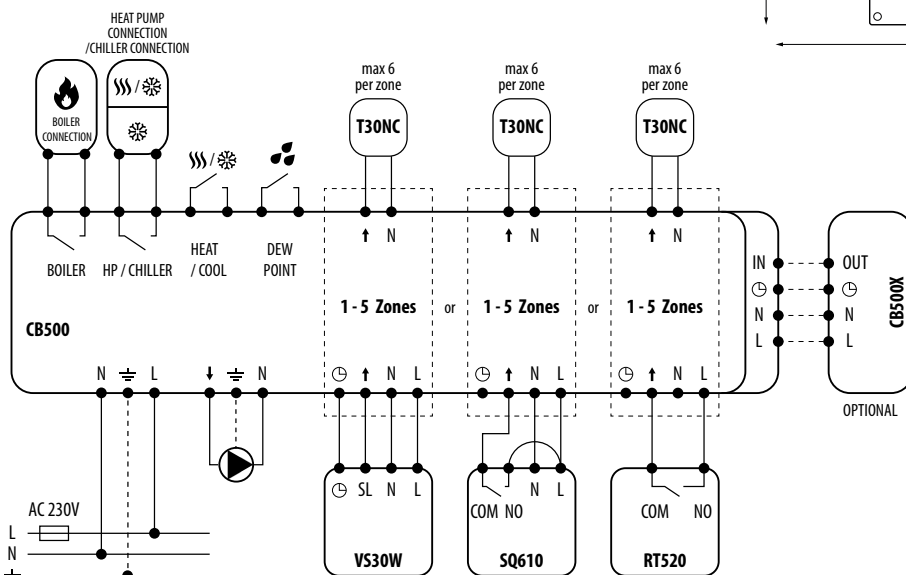


The CB500 control box is the main element of the underfloor heating / cooling control system. It has a built-in module that controls the heat and cool sources. The control box allows to control 5 different zones. Number of controlled zones can be increased up to 15 zones by using additional CB500X extension modules (CB500 main control box + two CB500X extension modules). The CB500 has voltage-free outputs designed to control a boiler, heat pump or chiller. It allows you to switch between heating and cooling modes. It is equipped with 230V voltage outputs for a pump and actuators. The spring clamps provide quick and convenient wiring connections. The control box is designed to work with NC (normally-closed) type actuators.

Product features:

- control of 5 independent zones
- heat pump control
- heating and cooling modes
- advanced boiler, chiller and pump control modules
- quick installation with the spring clamps terminals
- wires protection against pulling out
- compatible with CB500X control box extension
- surface mounting or on DIN rail

Wiring diagram:



* according to the boiler's manual

Technical specifications:

Power supply	230 V AC 50 Hz
Total Load Max	7A
Pump / Boiler / HP (Chiller) Max. relay load	5A
Inputs	Heating / Cooling modes change (volt free) & Dew point sensor
Outputs	Boiler control output (volt free), Heat Pump/Chiller control output (volt free), Pump control (AC 230V), Actuators (AC 230V)
Dimensions [mm]	270 x 110 x 55

Dimensioned drawing:

