

ESCTP-RF

Programmable Cylinder Thermostat

Installation instructions



Thank you for choosing ESi Controls.

All our products are tested in the UK so we are confident this product will reach you in perfect condition and give you many years of service. However, for additional peace of mind, we recommend you register your product online at **www.esicontrols.co.uk/warranty** for your extended warranty.

Contents

Installation instructions

1. Technical specification		
1.1	Parameter settings	6
1.2	Thermostat technical settings	7
2. Installation instructions		
2.1	Installation safety instructions	8
2.2	General safety instructions	8
2.3	Warning notices	8
2.4	Maintenance	9
2.5	Fitting the programmable cylinder thermostat	9
2.6	Installing the programmable cylinder thermostat	10
2.7	Wiring diagram	11

Installation instructions

1. Technical specification

1.1 Parameter settings

Auto mode*	
Set temperature	25°C - 65°C (Default: 50°C)
Program event start/end time	00:00 - 23:50 (User Manual section 7)
Program operation mode	5/2 day, 7 day, 24hr (Default: 5/2 day)
Number of programs	2 or 3 (Default: 3)
Manual mode	
Manual mode temperature	25°C - 65°C (Default: 50°C)
Boost mode	
Boost mode temperature	25°C - 65°C (Default: 50°C)
Boost mode hours	1 – 3

* Only available when paired with a compatible Wi-Fi room thermostat

1.2 Thermostat technical settings

Power supply	230VAC, 3(1)A SPDT
Temperature sensor accuracy	+/- 1°C at 20°C
Total switch rating	5A 230VAC
Plastic type	Thermoplastic, flame retardant
Protection rating	IP30
Dimensions	88mm (L) x 88mm (W) x 23mm (D)
BST/GMT Time change	Automatic
Factory pre-set programme*	yes, (See section 7 of user manual)
Complies with	EN 60730-1, EN 60730-2.7, EN 55014-1:2006+A1:2009+A2:2011, EN61000-3-2:2014, EN 61000-3-3:2013, EN 55014-2: 2015, EN 60730-1:2011, EMC Directive 2014/30/EU, LVD Directive 2014/35/EU

* Only available when paired with a compatible Wi-Fi room thermostat

2. Installation

2.1 Installation safety instructions

The unit must be installed by a suitably qualified person in accordance with the latest IEE Wiring Regulations. Isolate mains supply before commencing installation. Please read all instructions before proceeding.

Ensure that the fixed wiring connections to the mains supply is via a fuse rated at not more than 3 Amps and Class 'A' switch having a contact separation of a minimum of 3mm in all poles. The recommended cable sizes are 1.0mm² or 1.5mm². No earth connection is required as the product is double insulated but ensure continuity of earth throughout the system.

2.2 General safety instructions

This product complies with the essential requirements of the following EC Directives:

- Electro-Magnetic Compatibility Directive 2014/30/EU.
- Low Voltage Directive 2014/35/EU.
- EC Marking Directive 2014/30/EU.

Please leave the user instructions with the end user where they should be kept in a safe place for future reference.

2.3 Warning notices

WARNING: *Always isolate the ac mains supply before installing. This product must be fitted by a competent person, and installation must comply with the guidance provided in the current editions of BS767 (IEE wiring regulations) and part "P" of the building regulations.*

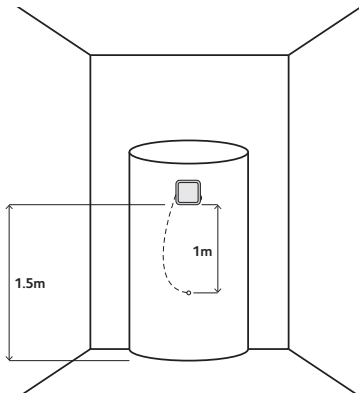
2.4 Maintenance

Always isolate the mains supply before commencing any work, servicing or maintenance on the system. And please read all instructions before proceeding.

Arrange for an annual maintenance and inspection schedule to be carried out by a qualified person on every part of the heating and hot water system.

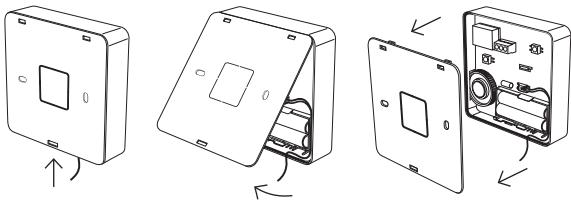
2.5 Fitting the programmable cylinder thermostat

The programmable cylinder thermostat should be where it will be easily accessible, visible, free of obstructions and extreme temperatures. Some cylinders allow for the thermostat to be mounted directly into the cylinder, please check with your cylinder manual for details, alternatively the thermostat can be mounted to a wall close to the cylinder. Before fixing the thermostat to the desired position, ensure that the temperature probe has enough length to reach the probe pocket in the cylinder.

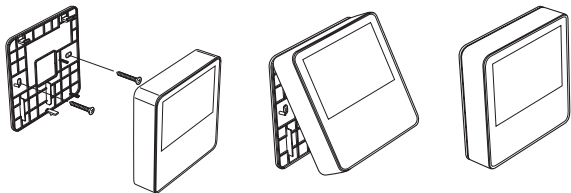


2.6 Installing the programmable room thermostat

1. Press the Release button at the bottom of the unit, then gently loosen from the unit, unhooking from bottom to top.



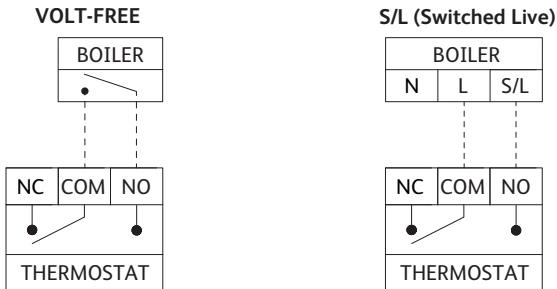
2. Fix the mounting plate onto the cylinder itself or into a wall nearby, ensuring that the temperature probe will reach the cylinder temperature probe dry pocket.
3. Route the wires through the back of the mounting plate. Fit the wires to the Thermostat in accordance with the relevant diagram (see section 2.7 for details) and in accordance with I.E.E. regulations..



4. Fit the unit onto wall mount plate securing from bottom to top.
5. Ensure an appropriate fuse is fitted to the circuit before reconnecting to the mains supply (*see section 2.1 for details*)

2.7 Wiring diagram

Check your boiler wiring diagram for the connection requirements. The wiring diagram below cover the most common connection methods. Incorrect wiring can cause damage to the boiler and the thermostat.



1. **N:** Mains AC Neutral
2. **L:** Mains AC Live
3. **NC:** Normally Closed
4. **COM:** Common
5. **NO:** Normally Open

We are continuously developing our products to bring you the very latest in energy saving technology and simplicity. However, should you have any questions setting up your controls please email us at **sales@esicontrols.co.uk** or for technical queries call us on our dedicated technical helpline **01280 816868**.

WARNING: Interference with sealed parts renders the guarantee void.

In the interests of continuous product improvement we reserve the right to alter designs, specifications and materials without prior notice and cannot accept liability for errors.



Energy Saving Innovative Controls Limited

www.esicontrols.co.uk

Version 1.001

© ESi Controls Ltd 2021

