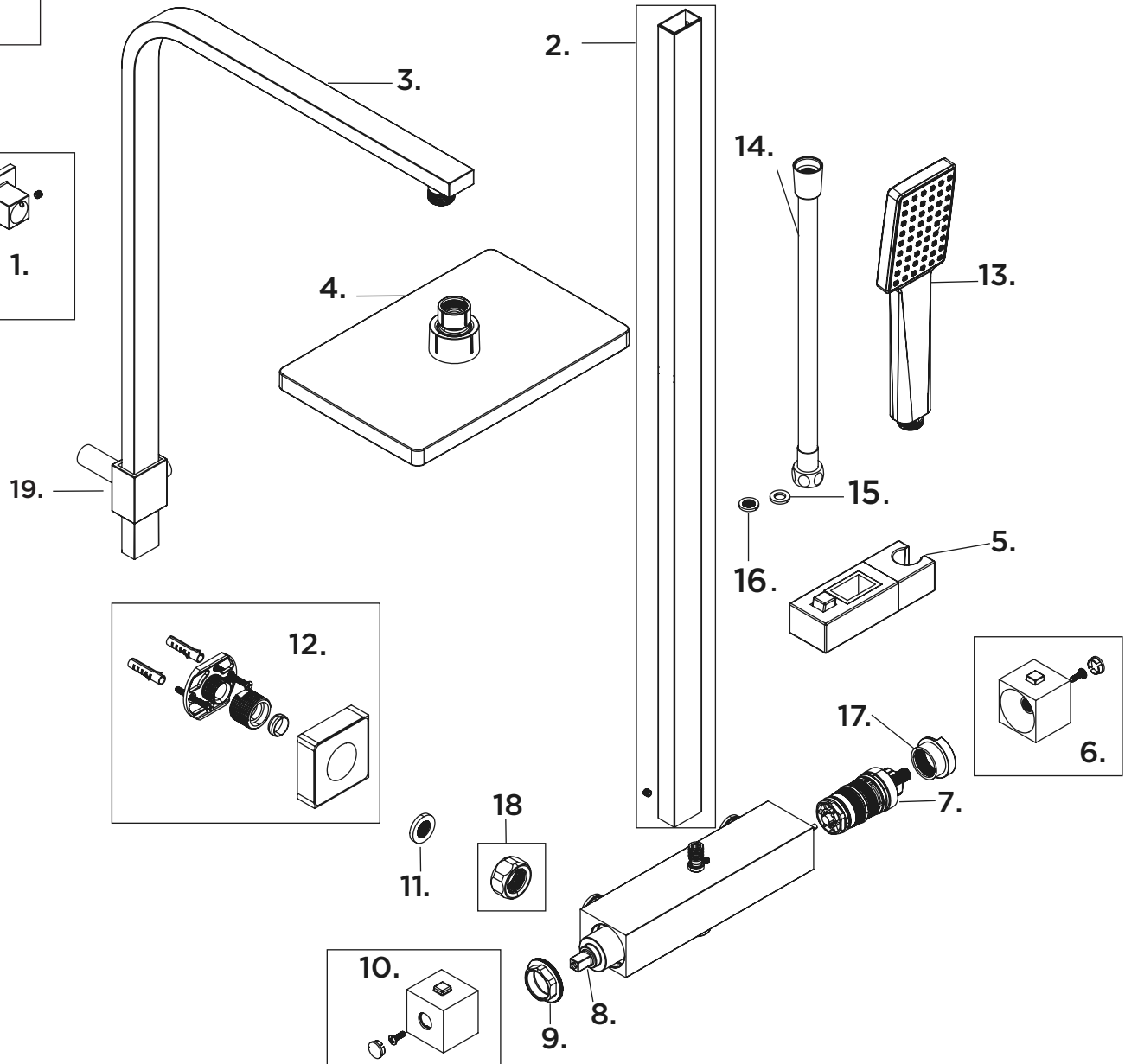
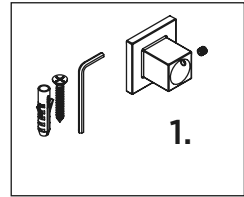


Product Code: NAP SHXDIVSMFF C
Revision: D1



1	Wall Bracket Assembly
2	750mm Riser Rail Assembly
3	Wall Arm Assembly
4	Fixed Head
5	Handset Holder
6	Temperature Handle Assembly
7	Thermostatic Cartridge
8	Diverter Cartridge
9	Diverter Retaining Nut
10	Flow Handle Assembly
11	3/4" Filter Washer
12	Wall Mount Kit (Pair)
13	Single Function Handset
14	1.5m Cone to Nut Hose
15	Washer
16	Filter Washer
17	Temperature Stop
18	Wall Mount Fixing Nut
19	Wall Bracket