

NAX BAS C

NAXOS Tap Range

Naxos Basin Mixer with Clicker Waste Chrome



Features:

- Everything you need in the box including flexible tails and clicker waste so nothing to buy separately.
- Long life 1/4 turn ceramic disc valves for added durability and smooth control.
- A hard-wearing, flawless, scratch resistant chrome finish that lasts for years. Salt spray tested to ensure added durability.
- 5 year parts and 1 year labour guarantee for peace of mind.
- Co-ordinating Bathroom taps, Recess shower and Accessories available.

Product Certifications:



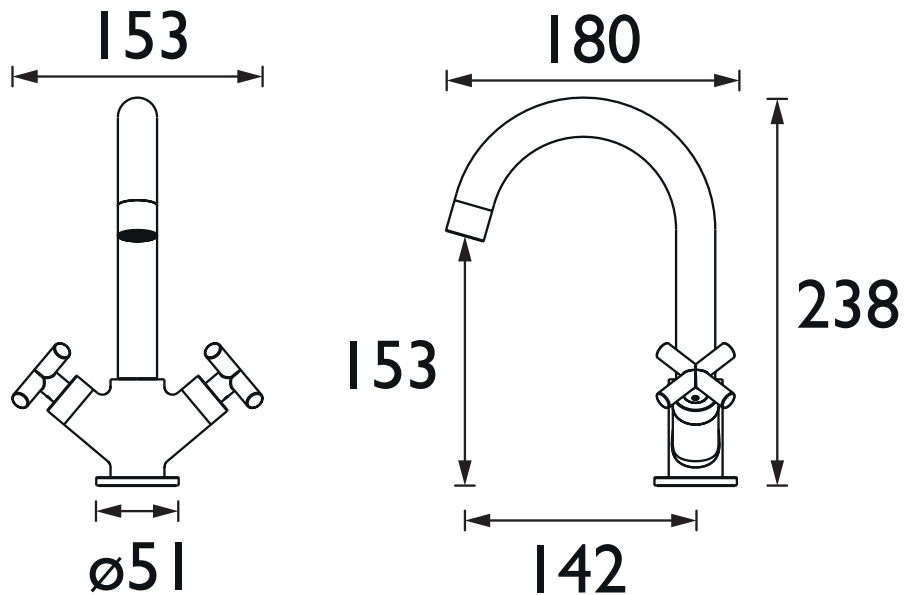
For more products, visit our website:
<http://www.bristan.com>



Specification

Product Type:	Bathroom Taps
Main Construction Material:	Brass; Stainless Steel; ABS
Mount Type:	Deck
Handle Type:	Crosshead
Connection Inlet:	1/2" BSP Flexible Tails
Connection Outlet:	M24 5lpm Flow Limited Aerator
Number of Tap Holes:	1
Valve/Cartridge Type:	1/2" Ceramic Disc Valve - 1/4 turn
Plumbing System Requirements:	Suitable for all plumbing systems
Minimum Dynamic Pressure (bar):	0.5 bar
Maximum Dynamic Pressure (bar):	5 bar
Maximum Hot Water Temperature °C:	60°C
Maximum Static Pressure (bar):	10 bar
Flow Type:	Single
Isolation Included:	No

Dimensions (measurements in mm)



Flow Rates (l/min)

System Pressure (bar)	0.5	1	2	3	4	5
NAX BAS C (mixed)	3.5	5.1	5.5	5.2	4.9	5.3

TECHNICAL
DATA
SHEET



BRISTAN

D1