

APE BSM BB

APELO Tap Range Apelo Bath Shower Mixer Brushed Brass



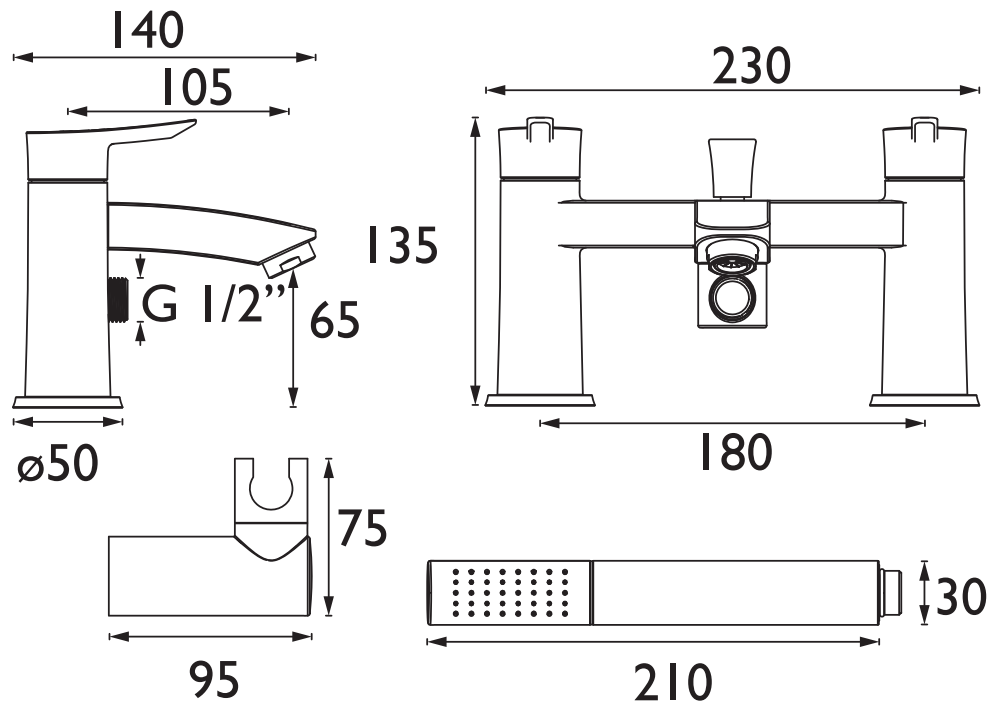
Specification

Product Type:	Bathroom Taps
Main Construction Material:	Brass
Mount Type:	Deck
Handle Type:	Long Angled
Connection Inlet:	3/4" BSP
Connection Outlet:	Housed M24 Aerator
Number of Tap Holes:	2
Valve/Cartridge Type:	3/4" Short Stem Ceramic Disc Valve
Plumbing System Requirements:	Suitable for all plumbing systems
Minimum Dynamic Pressure (bar):	0.3 bar
Maximum Dynamic Pressure (bar):	5 bar
Maximum Hot Water Temperature °C:	60°C
Maximum Static Pressure (bar):	10 bar
Flow Type:	Single
Isolation Included:	No

Features:

- Long life 1/4 turn ceramic disc valves for added durability and smooth control.
- Robust metal fixing nut to secure the tap in place reducing the risk of loosening over time.
- On-trend brushed brass finish to make a statement in your bathroom.
- Rub clean handset - limescale and debris build-up is quickly and easily removed by rubbing a finger or a cloth over the nozzles.
- 10-year parts and 1 year labour guarantee for peace of mind.
- Also available in chrome, black and gun metal.
- Co-ordinating Bathroom taps available.

Dimensions (measurements in mm)



Product Certifications:



Kiwa Certification No: 2312719
Kiwa Expiry Date: 11/12/2028

WRAS Certification No: 2312357
WRAS Expiry Date: 31/12/2028



Flow Rates (l/min)

System Pressure (bar)	0.3	0.5	1	2	3	5
Through Bath Filler (mixed)	12.5	16.4	24	33.3	40.8	52.6
Through Handset (mixed)	3.9	5.2	7.6	11.2	14.3	19

TECHNICAL DATA SHEET



BRISTAN

D2