

APE ES BAS BB

APELO Tap Range Apelo Eco Start Basin Mixer with Clicker Waste Brushed Brass



Features:

- Eco Start technology saves energy by having cold water as the default central start position of the tap handle. Hot water is only activated when the tap lever is moved from the central position, so your boiler is not unnecessarily fired up.
- This tap has a flow regulator, which limits the flow of water to 5 litres per minute, reducing the amount of water you use.
- Long life ceramic cartridge for added durability and smooth control.
- Everything you need in the box including flexible tails and clicker waste so nothing to buy separately.
- On-trend brushed brass finish to make a statement in your bathroom.
- 10-year parts and 1 year labour guarantee for peace of mind.
- Also available in chrome, black and gun metal.
- Co-ordinating Bathroom taps available.

Product Certifications:



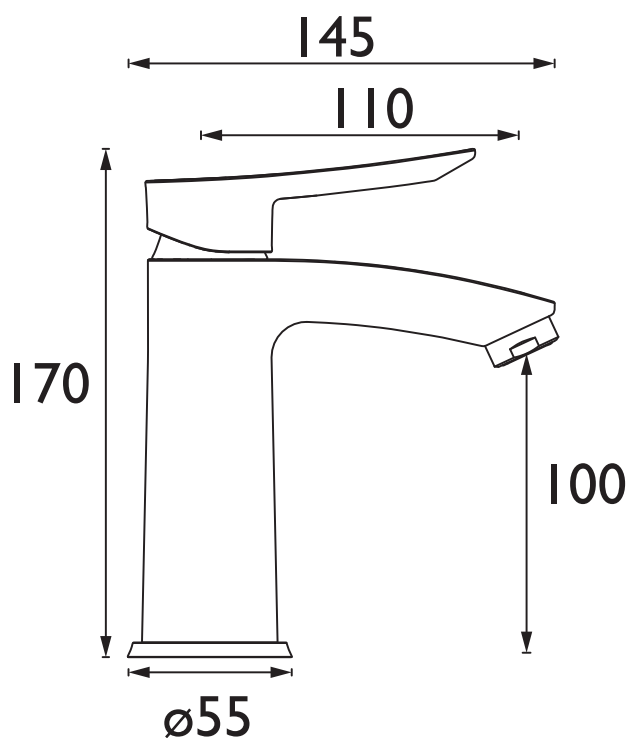
WRAS Certificate No: 2309904
WRAS Expiry Date: 30/09/2028



Specification

| | |
|-----------------------------------|--------------------------------------|
| Product Type: | Bathroom Taps |
| Main Construction Material: | Brass |
| Mount Type: | Deck |
| Handle Type: | Long Angled |
| Connection Inlet: | 1/2" BSP Flexible Tails |
| Connection Outlet: | Housed 5lpm M24 Aerator |
| Number of Tap Holes: | 1 |
| Valve/Cartridge Type: | 35mm Cold Start Upper Seal Cartridge |
| Plumbing System Requirements: | Suitable for all plumbing systems |
| Minimum Dynamic Pressure (bar): | 0.5 bar |
| Maximum Dynamic Pressure (bar): | 5 bar |
| Maximum Hot Water Temperature °C: | 60°C |
| Maximum Static Pressure (bar): | 10 bar |
| Flow Type: | Single |
| Isolation Included: | No |

Dimensions (measurements in mm)



Flow Rates (l/min)

| System Pressure (bar) | 0.5 | 1 | 2 | 3 | 5 |
|-----------------------|-----|-----|---|-----|-----|
| APE ES BAS BB (mixed) | 2.8 | 4.1 | 5 | 4.7 | 4.7 |

TECHNICAL DATA SHEET



BRISTAN

D2