

APE ES SMBAS C

APELO Tap Range Apelo Eco start Small Basin Mixer with Clicker Waste Chrome



Features:

- Eco Start technology saves energy by having cold water as the default central start position of the tap handle. Hot water is only activated when the tap lever is moved from the central position, so your boiler is not unnecessarily fired up.
- This tap has a flow regulator, which limits the flow of water to 5 litres per minute, reducing the amount of water you use.
- Long life ceramic cartridge for added durability and smooth control.
- Everything you need in the box including flexible tails and clicker waste so nothing to buy separately.
- A hard-wearing, flawless, scratch resistant chrome finish that lasts for years. Salt spray tested to ensure added durability.
- 10-year parts and 1 year labour guarantee for peace of mind.
- Co-ordinating Bathroom taps available.

Product Certifications:



WRAS Cert. Number: 2309902
WRAS Expiry Date: 30/09/2028

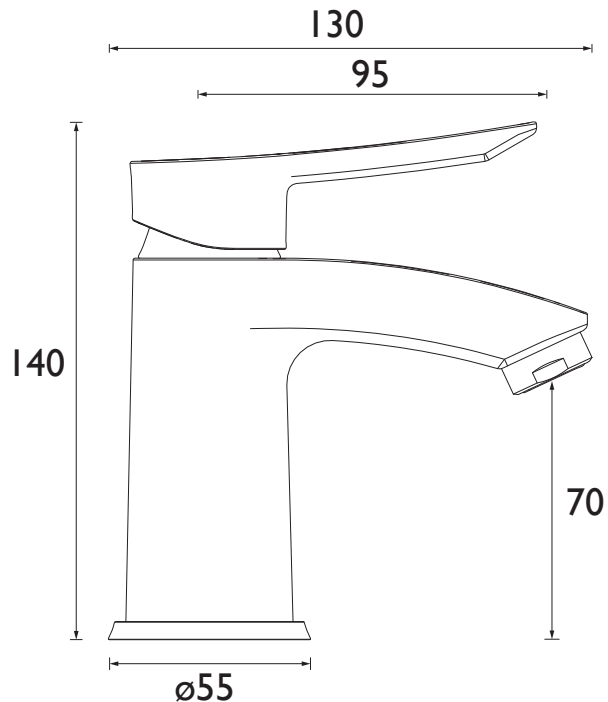


Specification

Product Type:	Bathroom Taps
Main Construction Material:	Brass
Mount Type:	Deck
Handle Type:	Long Angled
Connection Inlet:	1/2" BSP Flexible Tails
Connection Outlet:	Housed 5lpm M24 Aerator
Number of Tap Holes:	1
Valve/Cartridge Type:	35mm Cold Start Upper Seal Cartridge
Plumbing System Requirements:	Suitable for all plumbing systems
Minimum Dynamic Pressure (bar):	0.5 bar
Maximum Dynamic Pressure (bar):	5 bar
Maximum Hot Water Temperature °C:	60°C
Maximum Static Pressure (bar):	10 bar
Flow Type:	Single
Isolation Included:	No

Dimensions (measurements in mm)

Apelo Eco-Start Small Basin Mixer



Flow Rates (l/min)

System Pressure (bar)	0.5	1	2	3	5
APE ES SMBAS C (mixed)	3	4.1	5.4	5.1	4.8

TECHNICAL DATA SHEET



BRISTAN

D2