

FRM BSM GM

FRAMMENTO Tap Range

Frammento Bath Shower Mixer
Gun Metal Grey



Specification

Product Type:	Bathroom Taps
Main Construction Material:	Brass
Mount Type:	Deck
Handle Type:	Flat Angled
Connection Inlet:	3/4" BSP
Connection Outlet:	M24 Recessed Honeycomb Aerator
Number of Tap Holes:	2
Valve/Cartridge Type:	3/4" Short Stem Ceramic Disc Valve
Plumbing System Requirements:	Suitable for all plumbing systems
Minimum Dynamic Pressure (bar):	0.3 bar
Maximum Dynamic Pressure (bar):	5 bar
Maximum Hot Water Temperature °C:	60°C
Maximum Static Pressure (bar):	10 bar
Flow Type:	Single
Isolation Included:	No

Features:

- Long life 1/4 turn ceramic disc valves for added durability and smooth control.
- Robust metal fixing nut to secure the tap in place reducing the risk of loosening over time.
- Available in a Gun Metal Grey finish to add depth and contrast to your bathroom.
- Rub clean handset - limescale and debris build-up is quickly and easily removed by rubbing a finger or a cloth over the nozzles.
- 10-year parts and 1 year labour guarantee for peace of mind.
- Also available in chrome, black and brushed brass.
- Co-ordinating Bathroom taps, Recess shower and Accessories available.

Product Certifications:

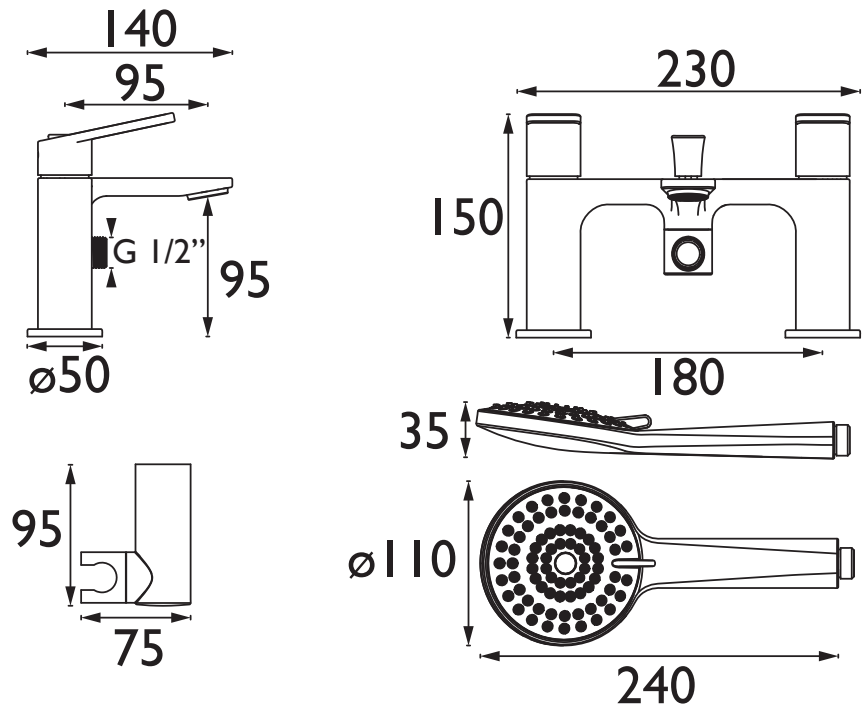


Kiwa Certification No: 2312720
Kiwa Expiry Date: 11/12/2028

WRAS Certification No: 2312356
WRAS Expiry Date: 31/12/2028



Dimensions (measurements in mm)



Flow Rates (l/min)

System Pressure (bar)	0.3	0.5	1	2	3	5
Through Bath Filler (mixed)	9.6	15.8	23.4	33.4	40.7	52.5
Through Handset (mixed)	3.9	5.1	7.5	11	14	18.6

TECHNICAL DATA SHEET



BRISTAN

D3