

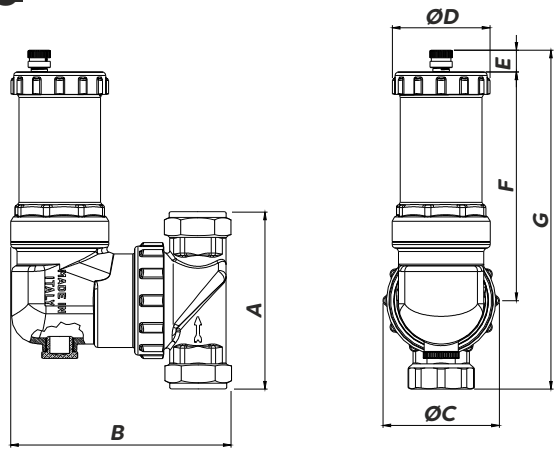
Product

- IV22.1 *intavent automatic deaerator 22mm*
- IV28.1 *intavent automatic deaerator 28mm*
- IV34 *intavent automatic deaerator 3/4"*
- IV01 *intavent automatic deaerator 1"*

Technical Specification

Maximum operating pressure: 10 bar
 Maximum discharge pressure: 10 bar
 Maximum fluid temperature: 115°C
 Usable fluid: Water / Water + Glycol 30%

Drawing

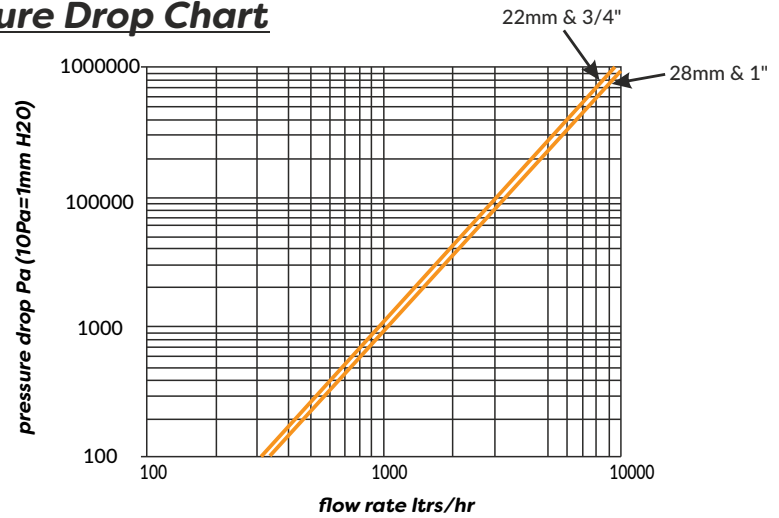


	A	B	C	D	E	F	G
22mm	98	127	68	57	13	135	200
28mm	102	127	68	57	13	135	202
3/4"	98	127	68	57	13	135	200
1"	102	127	68	57	13	135	200

Additional Information

- Automatically removes trapped air
- Maximum discharge pressure 10 bar
- Reduces wear on system components
- Decreases corrosion
- Reduces radiator cold spots
- Eliminates noisy pipe work
- Maintains optimum system conditions
- Increases system efficiency
- Available in 22mm, 28mm, 3/4" and 1"
- Quick, simple, 360° installation
- Solid brass construction

Pressure Drop Chart



Size:	3/4" -Ø22	1" -Ø28
Kv (M3/h):	9.50	10.30

