



## Product

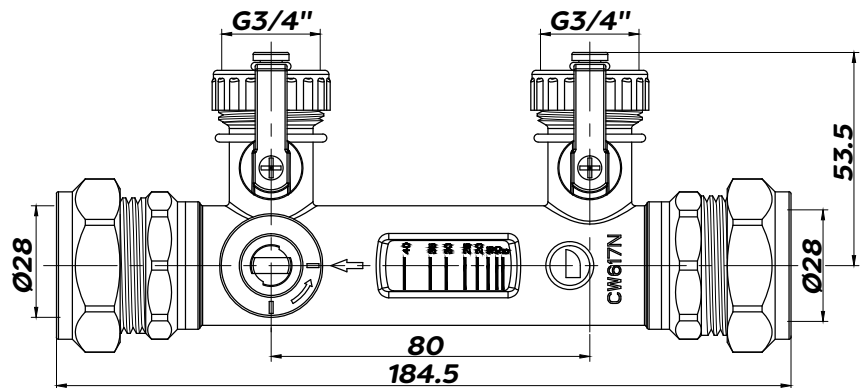
**INFBV28 - 28mm Flow Balancing Valve 4 - 40 L/min with G3/4" Fill & Flush**

**INFBV2850 - 28mm Flow Balancing Valve 10 - 50 L/min with G3/4" Fill & Flush**

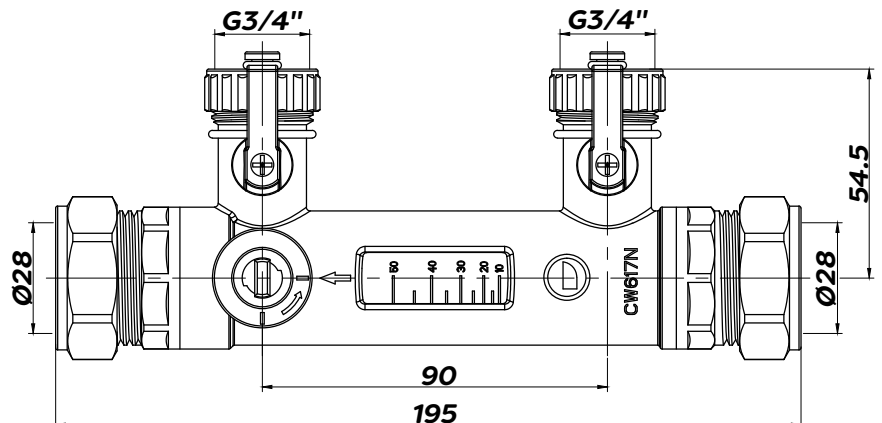
## Technical Specification

<b>Max Operating Pressure:</b>	<b>10 Bar</b>
<b>Max Operating Temperature:</b>	<b>110°C</b>
<b>Min Operating Temperature:</b>	<b>-20°C</b>
<b>Medium:</b>	<b>Water</b>
	<b>Water + Glycol &gt;50%</b>
<b>Inlet Connections:</b>	<b>28mm Compression</b>
<b>Fill &amp; Flush Connections:</b>	<b>G3/4" BSP</b>

### INFBV28



### INFBV2850



## Additional Information

**Regulates the flow of fluid through the system**

**Maximises heat collection in cylinders**

**Bi-directional ball valve stops water flow and allows access to fill and flush connection for servicing**

**28mm compression connections according to EN1254-2**

**G3/4" Fill & Flush connections with retained sealing cover caps**

**Clear window allows for easy adjustment of the flow rate**

**Suitable for use with water and up to 50% glycol solutions**