



Product

**HTMDMCP - Deck Mounted Sequential Thermostatic Hospital Tap
Lever Operated**

**HTMDMRS - Deck Mounted Sequential Thermostatic Hospital Tap
Lever Operated with Detachable Spout**

Technical Specification

Max Inlet Pressure (static):	10 Bar
Min Inlet Pressure (dynamic):	1 Bar
Max Inlet Temperature:	85°C
Factory Pre-set Temperature:	41°C
Temperature Stability:	+/-2°C
Max Unbalanced Pressure Ratio:	5:1
Min temperature differential Between Hot Inlet & Mixed Outlet to Achieve Failsafe:	10°C
System Installation:	Unvented, Pressurised, Gravity & Combination



Additional Information

**Conforms to Healthcare Performance
Requirements HTM64 & HTM04-01**

Full safe touch body

Thermostatic sequential control

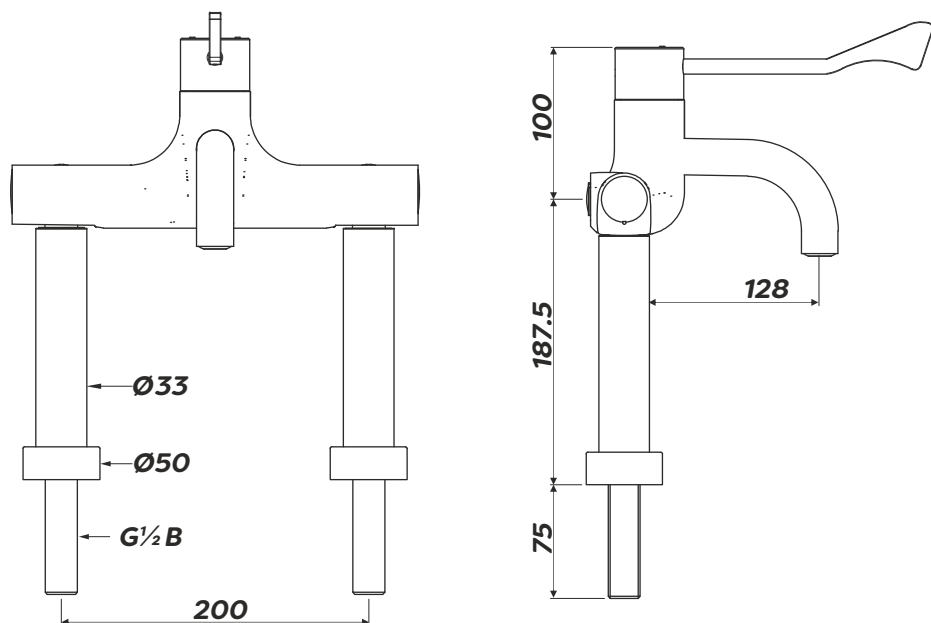
Integral isolation valves

**Long paddle lever for operation without
hand contact**

Smooth internal waterways

Sterilisation function for complete tap

**Flow straightener compliant with
HTM04-01**



For More
Information
Please Scan

Intatec, Airfield Industrial Estate, Hixon, Stafford, ST18 0PF

T. 01889 272180 F. 01889 272181 E. sales@intatec.co.uk

www.intatec.co.uk