

BRISTAN

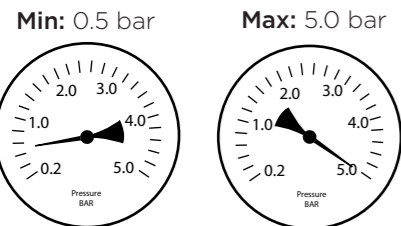
Installation Instructions & User Guide

Please leave these instructions with the end user

Product Code: CR SHXDIVFF C (D8)

Specifications

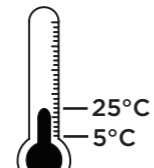
Working Pressures



Maximum Static Pressure: 10.0 bar

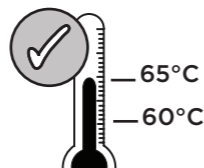
Inlet Water Temperature

Cold Water Supply



Min: 5°C Max: 25°C

Hot Water Supply

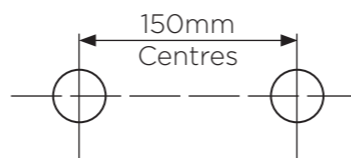


60-65°C Recommended

Factory pre-set
42°C

IMPORTANT
The inlet hot water must be at least 10°C above the required blend temperature.

Inlet Dimensions

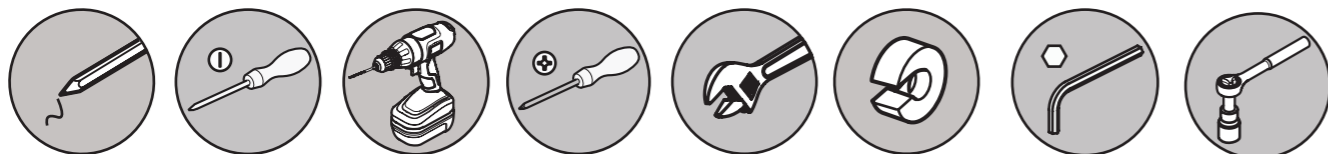


Inlet Connections

15mm
Compression

(via WMNT 12)

Tools You'll need



Pencil Flat head Screwdriver Drill Cross head Screwdriver Spanner Pipe Cutter Hexagonal Keys Socket Spanner

Prior to Installation

All products manufactured and supplied by Bristan are safe to use provided that they are installed, operated and receive regular maintenance in accordance with these instructions.

This product needs to be installed in accordance with, and meet the requirements of the Water Supply (Water Fittings) Regulations 1999 and current by-laws. For full Installation Requirements & Notes (IRN) please visit wras.co.uk/directory.

Isolation valves must be fitted to the inlet water supplies to ensure ease of future maintenance. Before installing this product the water supply must be thoroughly flushed in order to remove any swarf, solder etc. Full access must be made available for future maintenance/ servicing purposes.

Before drilling into walls, check that there are no hidden electrical wires, cables or water supply pipes. This can be checked with the aid of an electronic detector.

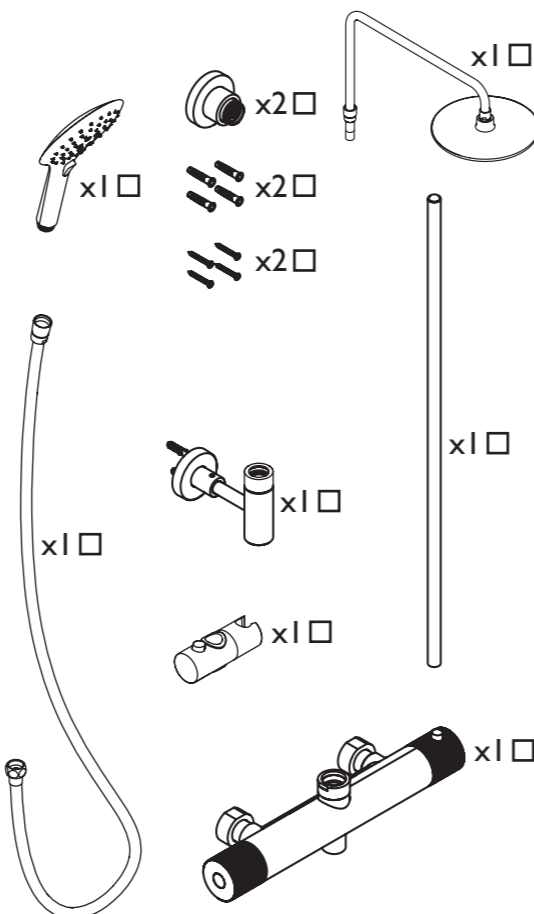
If power tools are used do not forget to:
- Wear eye protection
- Unplug equipment after use

This product must not be modified in any way as this will invalidate the guarantee.

If in doubt, contact a registered plumber, your Local Water Authority or the Secretary of the Institute of Plumbing, address as follows:-

The Institute of Plumbing,
64 Station Lane,
Hornchurch,
Essex,
RM12 6NB, Tel: 01708 472791

Pack Contents

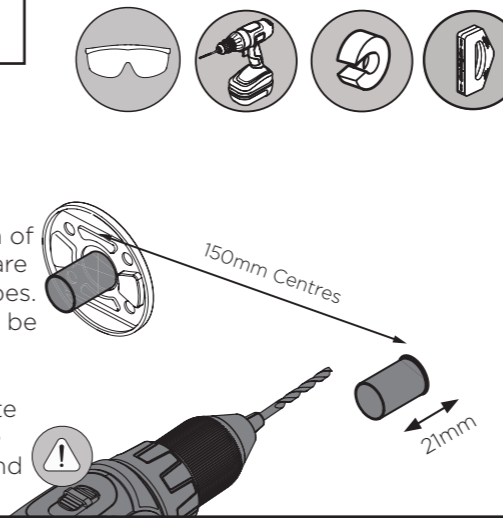


Installation

1

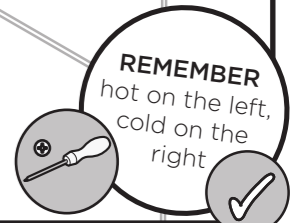
Identify the required position of the valve and prepare the water supply pipes. Supply pipes should be 150mm apart.

Using the backplate supplied with the wallmount, mark and drill holes.



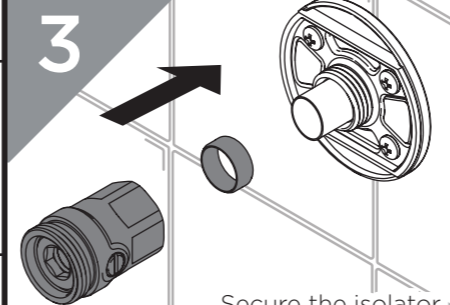
2

Secure the rubber backplate and backplate into place.



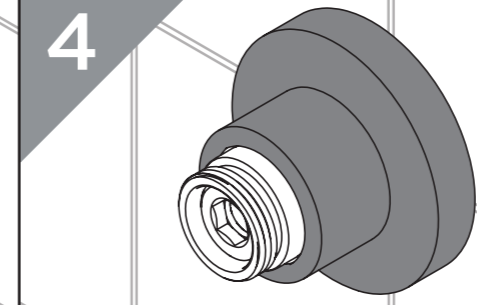
3

Secure the isolator onto the backplate ensuring the olive is positioned over the pipework correctly.



4

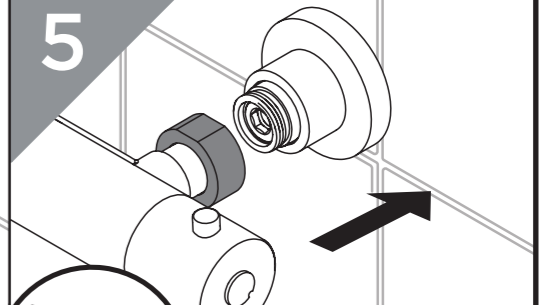
Push shrouds to the back of the wall outlet, securing them against the rubber fixing plate



5

REMEMBER
To service your product!

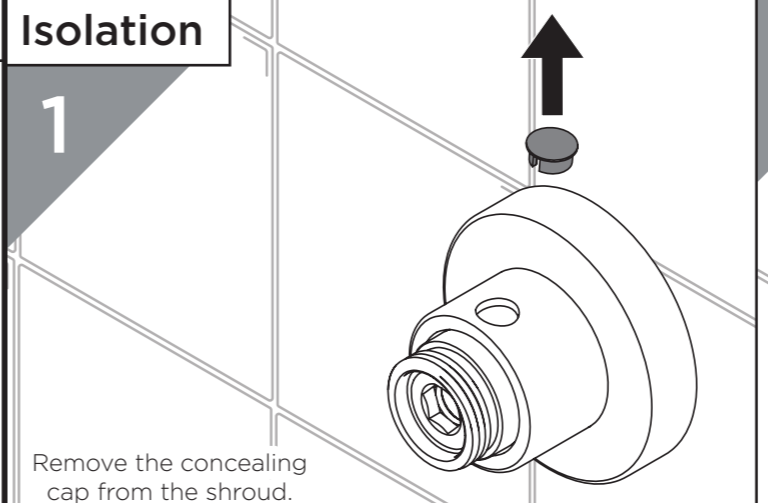
Secure the shower to the wall mount.



Isolation

1

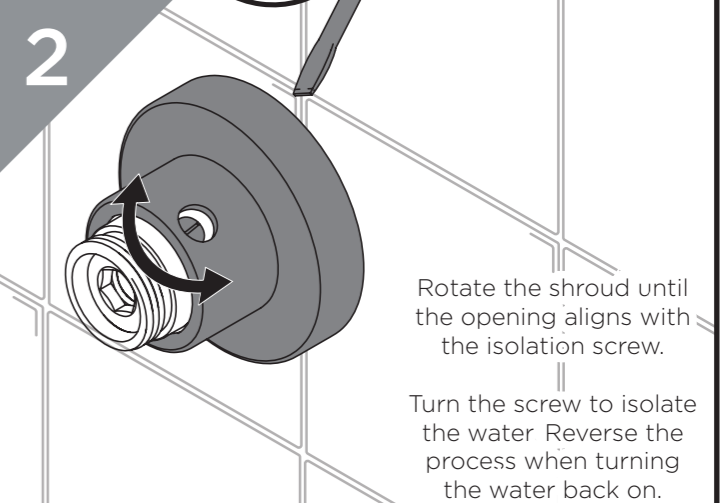
Remove the concealing cap from the shroud.



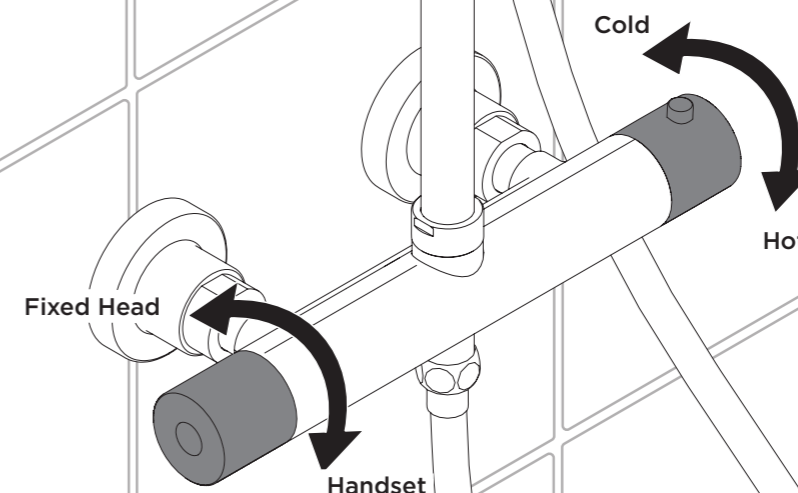
2

Rotate the shroud until the opening aligns with the isolation screw.

Turn the screw to isolate the water Reverse the process when turning the water back on.



Operation



Temperature Setting

- 1 Turn flow handle to 'on' position, letting temperature stabilise.
- 2 Remove temperature handle
- 3 Turn cartridge spindle clockwise to decrease the temperature.
Turn cartridge spindle anti-clockwise to increase the temperature.
- 4 Replace temperature handle

Maintenance - Cartridge Cleaning

- 1 Using the wall mount, isolate both shower inlets before carrying out any maintenance.
- 2 Remove temperature and flow handles
- 3 To remove thermostatic cartridge remove temperature stop and insert cartridge tool (not included) and use an adjustable spanner to unscrew the retaining nut.

- 4 Unscrew retaining nut to remove diverter cartridge.
- 5 Remove O-rings and soak all components in de-scaler and wash off in clean water. Examine all seals and replace if needed. Use WRAS approved silicon based grease on all seals.

- 6 Reverse steps 5-2 to reinstall the valve, cartridge and handles.
- 7 Turn the water supply to the shower back on.


Servicing Intervals

To reduce the build up of limescale and to ensure this shower works to its maximum performance we recommend this shower is serviced every 6-12 months depending on the hardness of your water.

REMEMBER
To service your product!

Spare Parts

To replace any spare parts for your shower, why not scan the QR Code or visit www.bristan.com and search for your product.



Riser Installation

- 1 Using a spirit level to ensure the riser is positioned correctly, use the assembled riser to mark the desired position of the brackets.
- 2 Disassemble bracket, align on the wall in the correct position and mark location of holes to be drilled.
- 3 Secure bracket to wall using screws and plugs provided.
- 4 Attach shroud and secure riser to bracket by tightening grub screws.
- 5 Push the riser rail into the bracket and screw to tighten.
- 6 Attach handset and fixed head. To adjust the riser pull the top cap up and use a hexagonal spanner to loosen the nut. Pull rail to desired position then tighten the nut and pull cap back down.

Troubleshooting

Symptom	Cause	Remedy
No flow or low flow rate	partially closed isolation valve.	Open isolation valve.
	Instantaneous water heater cycles on and off as flow rate or pressure is too low.	Increase water flow rate or pressure through system.
	Head of water is below the minimum distance required.	2 meters minimum required.
	Hot or cold water being drawn off elsewhere causing pressure changes or instantaneous boiler temperature changes.	Do not use other water outlets when using the taps.
Water dripping from shower	Airlock or partial blockage in the supply pipework.	Flush through pipework to ensure removal of debris and any airlocks.
	This is normal for a short time after using the shower.	This is caused by residual water tension, the build up of water in the shower.
Shower does not turn on	If water continues to drip, possibly due to the cartridge	Remove cartridge and clean, refer to 'Maintenance' section before starting any maintenance.
	Closed isolation valve.	Open isolation valve.
	Mains water supply turned off.	Turn on mains water supply.

At Bristan, we want to make things as easy as possible for our customers. That's why we offer solid guarantees on all our products, effective from the date of purchase, to give you peace of mind.

Your guarantee starts from the purchase of your product, but you can still benefit from registering it for easier identification in the unlikely event of a manufacturing fault, please visit www.bristan.com/register

For any other queries, please call Customer Service on 0330 026 6273 where our expert team of advisors will be able to offer you any help and advice.

For full guarantee terms and conditions visit www.bristan.com/service-centre/guarantees

Bristan Group Ltd.
Customer Service: +44330 026 6273
Web: www.bristan.com
Email: enquire@bristan.com

UK: Bristan Group, B78 1SG.
EU: Masco Europe S.à.r.l., 14 Rue Strachen 6933 Mensdorf, Luxembourg.

A Masco Company