

CAP3 SHXAR C

CAPRI Shower Range Capri3 Thermostatic Exposed Shower Valve with Riser Kit Chrome



Features:

- All in one box - pack includes shower valve, hose, hose retainer, riser rail and a rub-clean anti-limescale single function handset so nothing to buy separately.
- Easy installation with adjustable elbow inlets which enable you to use on existing pipework centres between 110mm and 155mm so there's no need for retiling.
- Rub-clean handset - limescale and debris build-up is quickly and easily removed by rubbing a finger or a cloth over the nozzles.
- A hard-wearing, flawless, scratch resistant chrome finish that lasts for years. Salt spray tested to ensure added durability.

Product Certifications:



WRAS Certificate No: 240403011
WRAS Expiry Date: 30/04/2029

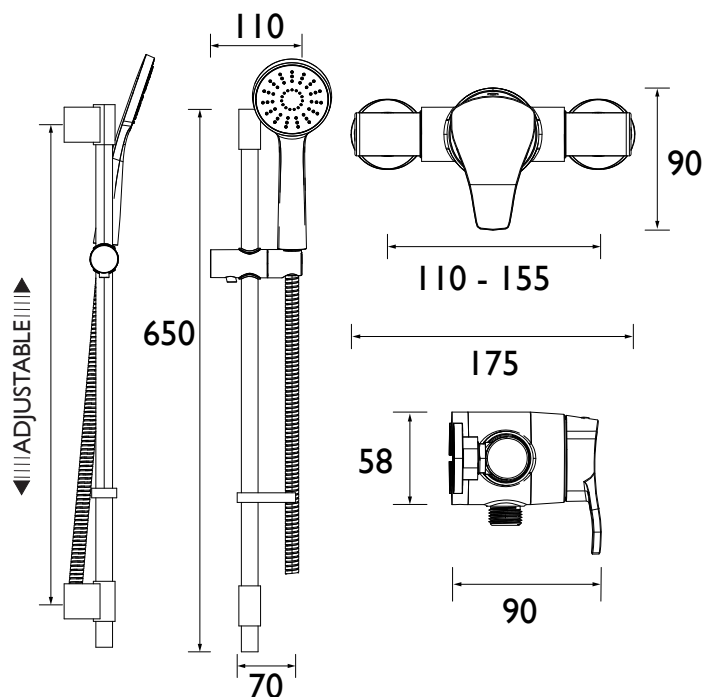
TMV2 Certificate No: NSF2126/0619
TMV3 Expiry Date: 13/12/2024



Specification

Finish/Colour:	Chrome
Main Construction Material:	Brass
No of Controls:	1
Shower Type:	Sequential
Shower Head Type:	Adjustable
Shower Kit:	Adjustable Riser
Valve/Cartridge Type:	Thermostatic
Maximum Hot Water Supply Temperature °C:	65
Plumbing System Suitability:	Suitable for all plumbing systems
Minimum Dynamic Pressure (bar):	0.2
Maximum Dynamic Pressure (bar):	5
Maximum Static Pressure (bar):	10
Connection Inlet:	15mm Compressions
Connection Outlet:	G 1/2"
Isolation Valve Included:	No
Check Valve Included:	Yes

Dimensions (measurements in mm)



Flow Rates (l/min)

System Pressure (bar)	0.2	0.5	1	2	3	5
Through Handset (mixed)	1.4	3.1	4.3	6.1	7.5	9.7

TECHNICAL DATA SHEET



For more products,
visit our website:
<http://www.bristan.com>



BRISTAN