

WIRED PROGRAMMABLE THERMOSTAT

Installation Guide

TTHWP



32341898-027 A



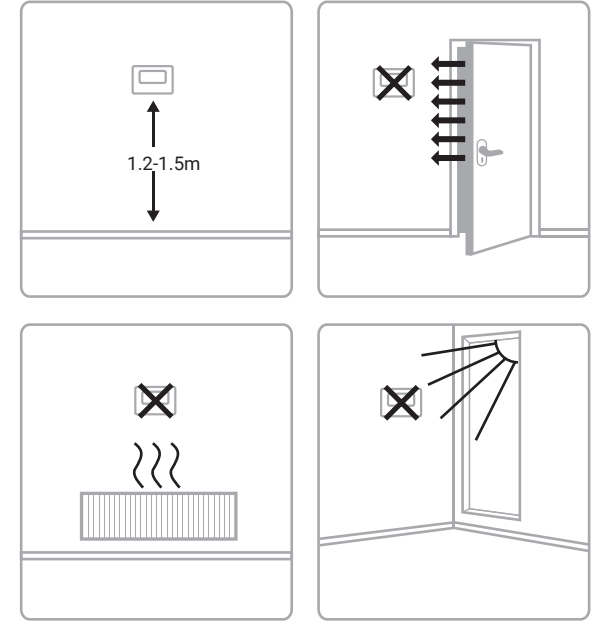
Must be installed by a competent person.

To ensure your safety make sure the mains power is switched OFF before accessing wiring.

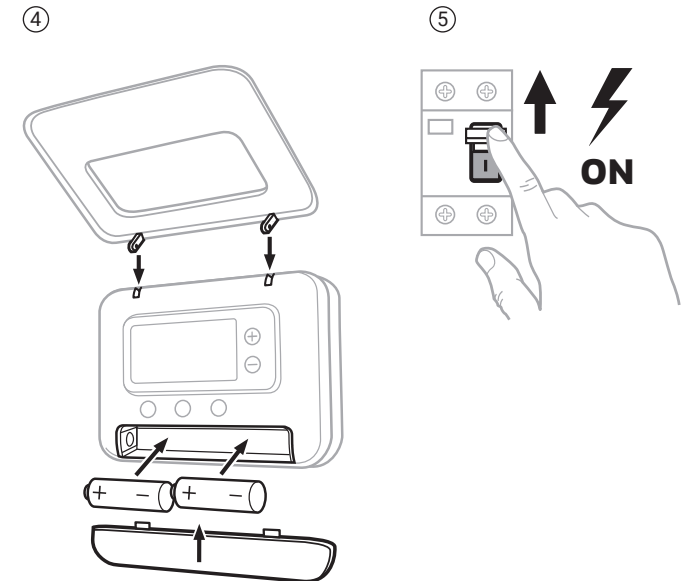
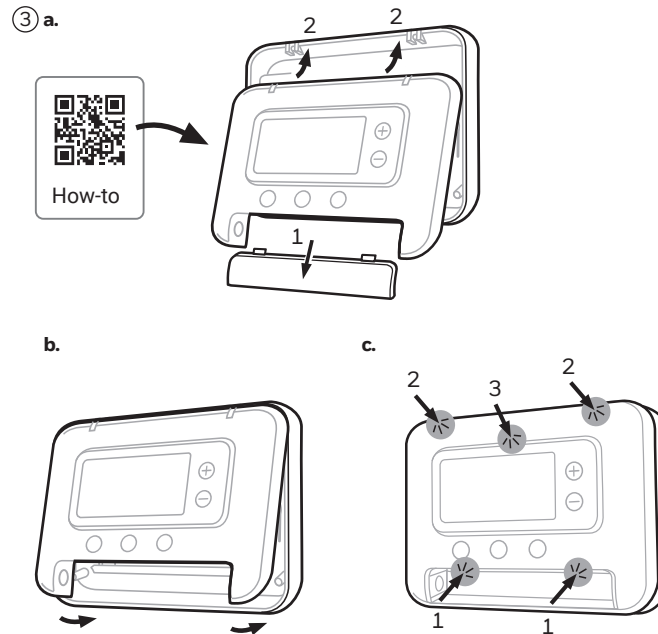
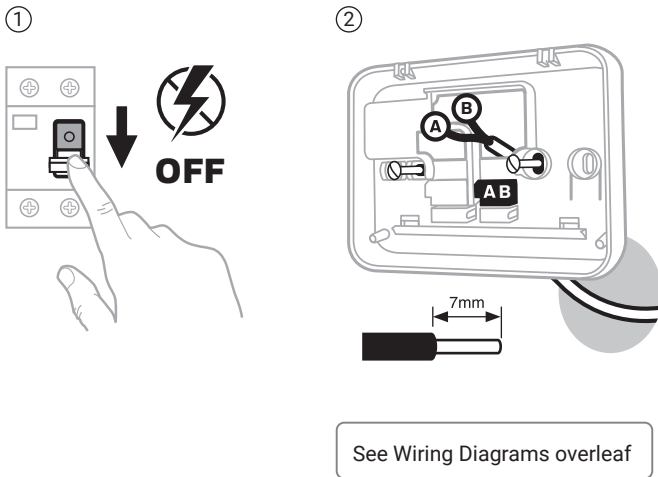
To prevent a short circuit from a loose wire:

- **Multi-core cables:** Only remove enough outer insulation to allow secure fixing of the cores into the terminal block.
- **Single core cables:** Secure them together with a cable tie as close as possible to the terminal block.

1 Choosing a suitable location for the Thermostat

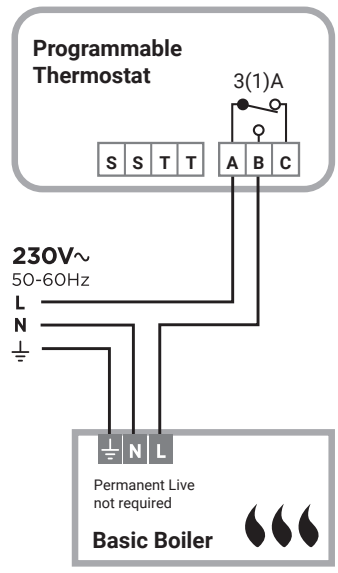


2 Installing the Thermostat

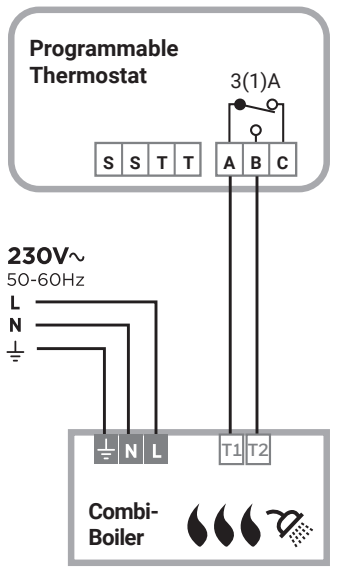


3 Wiring Diagrams

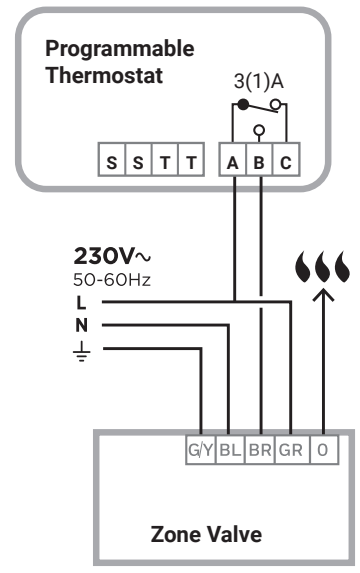
On/off boiler (230V)



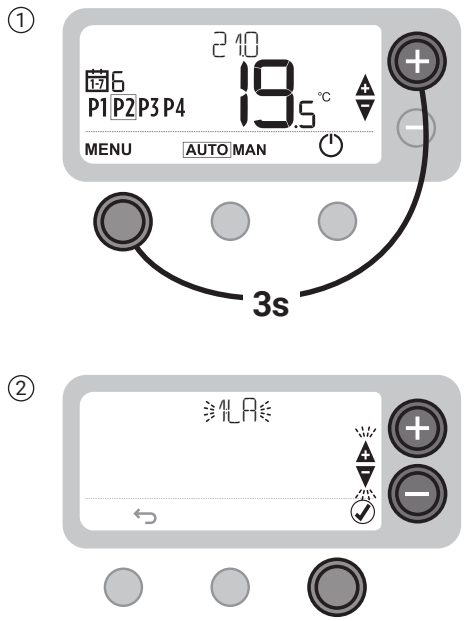
Combi boiler



2-Port Zone Valve



4 Adjusting the Thermostat Parameters



No	Description	Settings
3:OT	Min. On Time	1- 5min
4:LL	Lower Limit	5 - 21 °C
5:UL	Upper Limit	21 - 35 °C
9:LC	Fail Safe	0 = Disabled, 1 = Enabled
10:BL	Backlight	0 = Disabled, 1 = Enabled
11:CL	Clock	0 = 24h, 1 = 12h
12:DS	Daylight Saving	0 = Disabled, 1 = Enabled
13:TO	Temp. Offset	- 3 / + 3 °C
15:SD	Reset Schedule	0, 1 = Reset
16:FS	Factory Reset	0, 1 = Reset
17:OP	Optimum Start	0 = Disabled, 1 = Enabled
18:OS	Optimum Stop	0 = Disabled, 1 = Enabled

FROM
resideo
www.resideo.com

Technical Support
01183 152 114