

inspiration

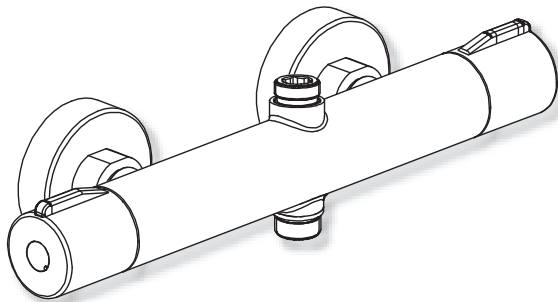
---

## **ENZO**

### **Dual Outlet Shower**

**IX200020CP, IX200025CP & IX200025BK**

### **Installation and Maintenance Instructions**



inspiration

**Intatec Ltd**

Airfield Industrial Estate

Hixon

Staffordshire

ST18 0PF

In this procedure document we have endeavoured to make the information as accurate as possible.

We cannot accept any responsibility should it be found that in any respect the information is inaccurate or incomplete or becomes so as a result of further developments or otherwise.

Tel: **01889 272 180**

email: **sales@intatec.co.uk**

web: **www.intatec.co.uk**

## Introduction

This installation guide has been produced for the ENZO dual outlet shower mixing valve. These instructions cover the installation, operation and maintenance. Please read the enclosed instructions before commencing the installation of this product, please note;

**We recommend that the installation of any product is carried out by an approved installer.**

The installation must be carried out strictly in accordance with the Water Supply (Water Fitting) Regulations 1999 and any local authority regulations.

If in doubt we recommend that you contact WRAS - Water Regulations Advisory Scheme on Tel: 0333 207 9030, your local water authority - details available on the WRAS website or the Chartered Institute of Plumbing and Heating Engineers on Tel: 01708 472 791.

All products MUST be re-commissioned to suit site conditions to ensure optimum performance levels of the product are obtained.

It is recommended, especially in hard water areas, that a water softener such as the ActivFlo or ActivFlo lite be fitted to reduce the risk of calcium deposits forming.

## Safety

This thermostatic shower must be installed and commissioned correctly to ensure that water is supplied at a safe temperature to suit the users.

The shower is pre-set using ideal conditions to 38°C at the stop with a manual push button override to 46°C maximum (can be re-set to suit site conditions or user preference – see calibration page 7).

The maximum mixed temperature takes account of the allowable tolerances inherent in thermostatic shower mixers and temperature losses.

**It is not a safe bathing temperature for adults or children.**

The British Burns Association recommends 37 to 37.5 °C as a comfortable bathing temperature for children. In premises covered by the Care Standard Act 2000, the maximum mixed water outlet temperature is 43 °C.

## Products

|  |            |
|--|------------|
| ENZO dual outlet thermostatic shower with telescopic riser kit, over head soaker and handset.                                    | IX200020CP |
| ENZO deluxe dual outlet safe touch thermostatic bar shower with telescopic riser kit, over head soaker and handset.              | IX200025CP |
| ENZO <b>BLACK</b> deluxe dual outlet safe touch thermostatic bar shower with telescopic riser kit, over head soaker and handset. | IX200025BK |

## Check Content

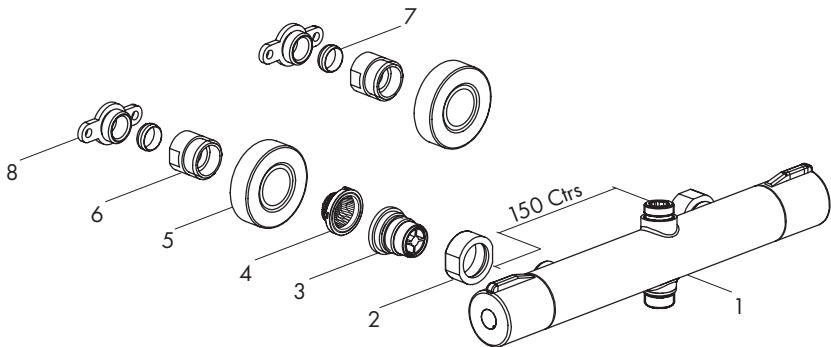
Before commencing remove all components from packaging and check each component with the contents list.

Ensure all parts are present, before discarding any packaging. If any parts are missing, do not attempt to install your ENZO shower valve until the missing parts have been obtained.

The shower valve is supplied with the two connectors, containing the filters and check valves, and the union nuts assembled to the body.

## Components

| Item | Qty | Component                  | Item | Qty | Component        |
|------|-----|----------------------------|------|-----|------------------|
| 1    | 1   | Body                       | 5    | 2   | Concealing plate |
| 2    | 2   | Union nut                  | 6    | 2   | Compression face |
| 3    | 2   | Connector with check valve | 7    | 2   | Olives           |
| 4    | 2   | Filter                     | 8    | 2   | Wall bracket     |



## Technical Data

This ENZO dual outlet thermostatic shower valve is suitable for installations on all types of plumbing systems, including gravity supplies, fully pumped, heat interface unit (HIU), modulating combination boiler, unvented water heater and unbalanced supplies i.e. Cold Mains & Tank Fed Hot. They are not suitable for non-modulating combination boilers.

|                                  |                                 |                                  |       |
|----------------------------------|---------------------------------|----------------------------------|-------|
| Max Inlet Pressure (Static)      | 5 bar                           | Max Inlet Temperature            | 65 °C |
| Min Operating Pressure (Dynamic) | 0.5 bar                         | Pre-set Factory Temp Setting     | 38 °C |
| Max Unbalanced Pressure Ratio    | 5:1                             | Temperature Stability            | ±2 °C |
| Inlet Connections                | G <sup>3</sup> / <sub>4</sub> " | Min Temp Differential between    |       |
| Outlet Connections (Body)        | G <sup>1</sup> / <sub>2</sub> " | hot inlet and mixed water outlet |       |
|                                  |                                 | to achieve cold water fail safe  | 15 °C |

## Unvented Mains Pressure System

The drawing shows a typical installation of a shower mixing valve in conjunction with an unvented hot water system. This type of installation must be carried out in accordance with Part G of the Building Regulations.

Whilst pressures are theoretically equal (balanced) most unvented hot systems have a pressure reducing valve on the incoming cold water prior to the hot water storage vessel.

## Unvented Mains Pressure System

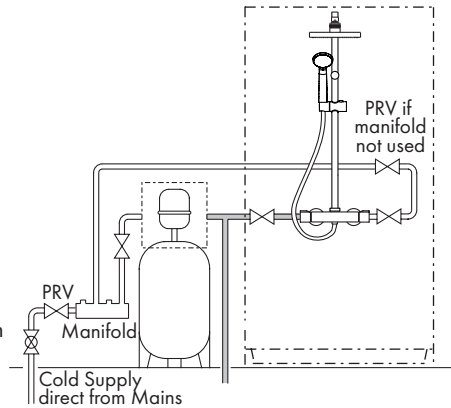
This means that the hot and cold pressures can be significantly different.

Most unvented systems use an inlet manifold located directly after the pressure reducing valve.

It is recommended that the cold supply be taken from one of the outlets of the manifold directly to the shower as an independent supply.

For systems without a manifold unit after the pressure reducing valve and where the cold water supply pressure is significantly higher than the hot supply we recommend that a separate pressure reducing valve is fitted to the cold supply, as close as possible to the shower valve and with no draw off points between it and the shower valve.

Flow regulators are required for installations where a PRV is not fitted to ensure simultaneous demand is accounted for.



## Pumped System

Pumped systems use a booster pump to increase the pressure of the gravity fed water supplies.

These booster pumps are used where the head of water is insufficient to provide a satisfactory shower or where a high performance shower is required.

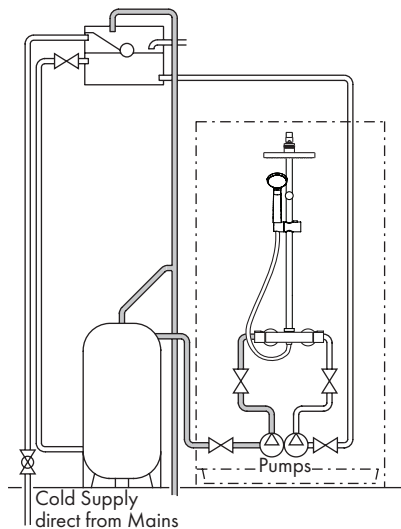
Please ensure that the performance of the pump is matched to suit the shower.

Follow the instructions for gravity fed installations taking into account the installation requirements of the pump.

Ensure that the hot and cold water storage capacity is sufficient to supply the shower and any other draw off points that may be used simultaneously.

**Most pumps require a minimum head of water to allow the flow switches to operate automatically. Where this is not available a negative head kit may be required to operate the pump.**

Please consult the pump manufacturer's installation requirements.



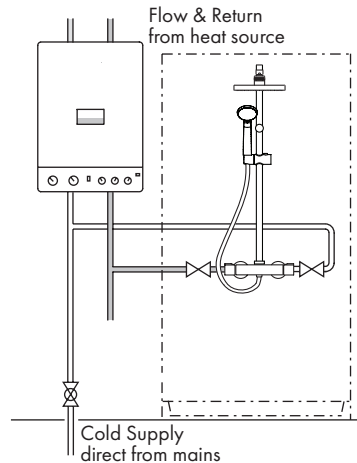
## Heat Interface Unit - HIU

The drawing shows a typical installation of a shower valve in conjunction with a heat interface unit.

A HIU will produce a constant flow of water at a maximum distribution temperature of 50 °C

The hot water flow rates are dependant upon the type of HIU used and the temperature rise required to heat the cold water to the required temperature.

The cold water flow rates may be much greater as they are generally unrestricted from the mains cold water supply. To ensure relatively balanced flow rates, we recommend that a pressure reducing valve or 6 l/min flow regulator is fitted in the cold water supply pipe.



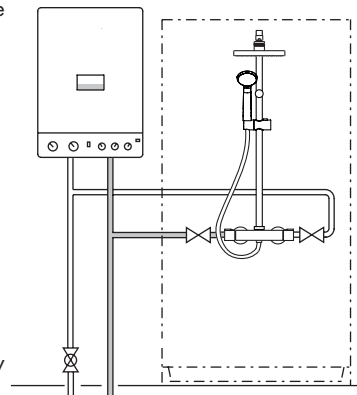
## Modulating Combi Boiler / Instantaneous Gas Water Heater

The drawing shows a typical installation of a shower valve in conjunction with a combination boiler.

Combi boilers will produce a constant flow of water at a temperature within its operating range. However we recommend that the system should supply hot water in excess of 60 °C.

The hot water flow rates are dependant upon the type of boiler / heater used and the temperature rise required to heat the cold water to the required temperature.

The cold water flow rates may be much greater as they are generally unrestricted from the mains cold water supply. To ensure relatively balanced flow rates, we recommend that a pressure reducing valve or 6 l/min flow regulator is fitted in the cold water supply pipe.



## Gravity System

The drawing shows a typical installation of a shower valve on a gravity supplied system.

Please note the minimum head pressure required to ensure operation of the valve.

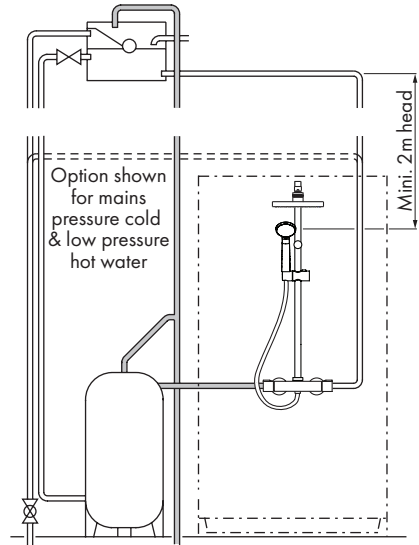
In accordance with good plumbing practice, we recommend that a totally independent hot and cold water supply be taken to the valve.

The cold water supply must be connected directly to the water cistern. The hot water supply should be connected to the hot water cylinder via an Essex flange or Sussex flange or to the vent or a draw off pipe as close as possible to the top of the cylinder.

For equal tank fed pressures there is no need to fit the flow regulators. This installation is the recommended minimum for gravity supplies. For systems with less than 2 metre head pressure, we recommend that a suitable booster pump is fitted to increase the supply pressure.

### Cold Mains & Gravity Hot Supplies

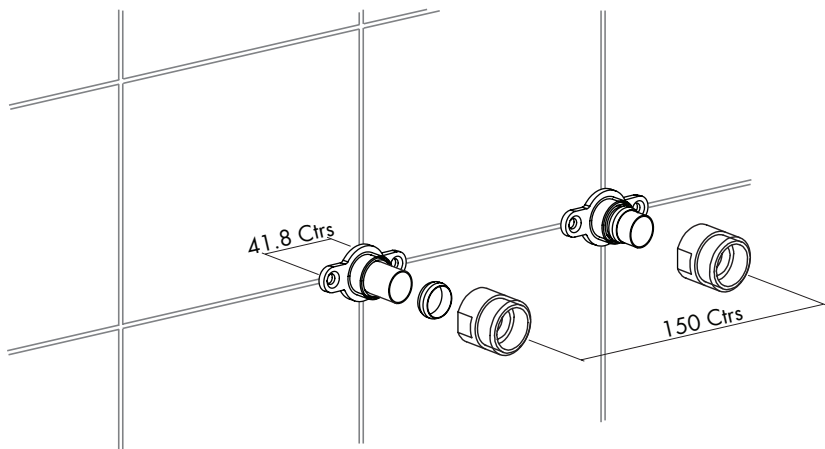
If the cold supply to the shower is direct from the cold water mains and the hot water supply is gravity fed from the cold water cistern via the hot water cistern you **MUST** fit a pressure reducing valve or a 6 l/min flow regulator.



## Site Preparation

**It is important to plan the installation thoroughly to suit site conditions before commencing.**

- Before commencing the installation ensure site conditions are suitable.
- The shower mixing valve is designed for concealed pipework, whether in a solid or studded wall.
- The thickness of wall tiles, plaster or plaster board should all be considered when routing the hot and cold supply pipes.
- The valve requires the offset connectors to have 150mm centres and sufficient thread must protrude from the finished tiled surface to allow the concealing plates to be fitted and the union nuts to be fully tightened.
- Ensure the shower valve will be horizontal when installed.
- The supply pipes if not embedded into the wall with plaster they should be fixed securely to the studding.
- The whole system should be thoroughly flushed, prior to the connection of the hot and cold water supplies to the shower mixing valve, to remove any debris that may be in the supply pipework.
- Ensure there are no joint leaks before finishing the wall.
- Isolation valves must be fitted in an accessible position to both the hot and cold supplies should the valve need to be isolated in the future for servicing.

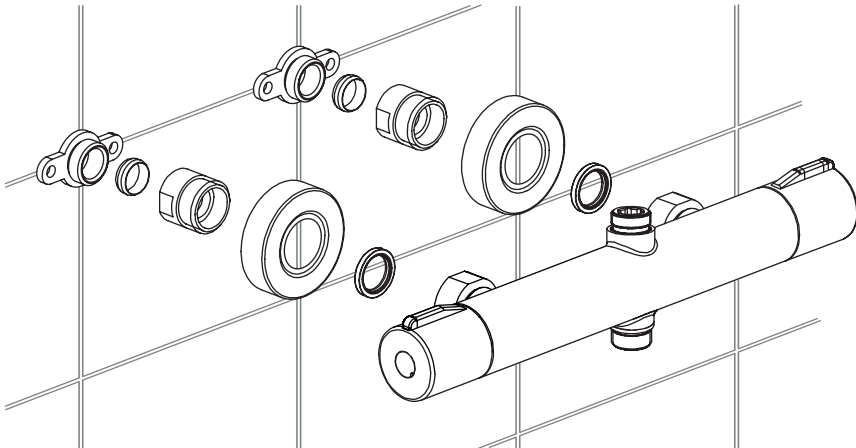


## **Fitting the Brackets**

- Apply silicone sealer to the back of both wall brackets, fit over the 2 protruding copper pipes, press to the wall and secure both brackets with 2 counter sunk screws.
- Add the olives and then the compression faces and tighten until water tight joints are made.
- Apply a bead of silicone sealer around the inside edge of the concealing plates, position over the compression faces and press firmly to the wall.

## **Installing the Shower Valve**

- Fit the shower valve to the wall bracket assemblies using the filter sealing washers (4) and using a suitably sized spanner, tighten the union nuts taking care not to damage the finish on the shower valve, do not over tighten.
- Turn on the water supplies and check that all joints are water tight.



### **Notes:**

The installation shown is for the pipework embedded in to the wall or for a stud wall.



## Calibration

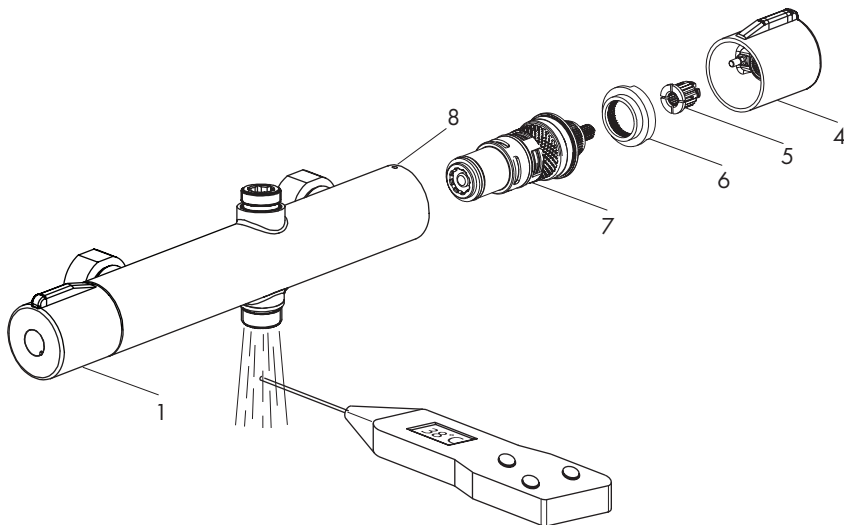
The ENZO shower valve has a factory set outlet temperature of 38 °C via the security setting. This is based on a balanced supply pressure and a stable hot water inlet temperature of 60 °C.

However, the calibration point **MUST** be checked and re-set as necessary to suit site conditions.

Care must be taken when re-calibrating the valve as **INCORRECT CALIBRATION CAN CAUSE INJURY.**

- Remove the cover cap (2), retaining screw (3), temperature control knob (4), the gear drive (5) and the temperature stop ring (6).
- Fully open the flow control (1) and allow the outlet temperature to stabilise.
- Temporarily refit the control knob (4) and using a digital thermometer it is possible to increase or reduce the mixed water outlet temperature until 38 °C is re-established, by slowly rotating the control knob.
- Remove the control knob (4) and refit the temperature stop ring (6) onto the splined section of the cartridge. The red dot on the temperature stop ring must align with the temperature position symbol (8) on the valve body.
- Refit the gear drive (5).
- Refit the temperature control knob in the reverse order ensuring that 38 °C on the control knob is in line with the temperature position symbol (8).

**PLEASE NOTE THAT ONCE CALIBRATED, THE SECURITY SETTING WILL ONLY BE 38 °C UNDER THE SUPPLY CONDITIONS USED FOR CALIBRATION.**



---

## **Cartridge Replacement**

- Isolate both the hot and cold water supplies
- Remove the cover cap (2), retaining screw (3), temperature control knob (4), the gear drive (5) and the temperature stop ring (6).
- Using a suitable spanner unscrew the cartridge (7).
- Replace with a new cartridge.
- Refit the temperature stop ring (6) onto the splined section of the cartridge. The red dot on the temperature stop ring must align with the temperature position symbol (8) on the valve body.
- Refit the gear drive (5).
- Refit the temperature control knob in the reverse order ensuring that 38 °C on the control knob is in line with the temperature position symbol (8).
- The shower valve must be re-calibrated after fitting the new cartridge following the procedure on page 8.

## **Aftercare**

Inspiration shower mixing valves have a high quality finish and should be treated with care.

An occasional wipe with a mild washing-up liquid on a soft damp cloth followed by a thorough rinsing is all that is required.

The nozzles in the hand set or overhead soaker should be cleaned periodically to remove any build up of debris or deposits which may affect the performance of the shower.

**Do not use an abrasive or chemical household cleaner** as this may **cause damage**.

## **Spares**

A full range of spares are available for this product.

**PLEASE NOTE:** Only genuine spares should be used.

## **Servicing**

The ENZO shower valve is designed to provide a high level of thermal performance to ensure the life cycle is as long as possible;

Valves should be serviced annually which should include the following:

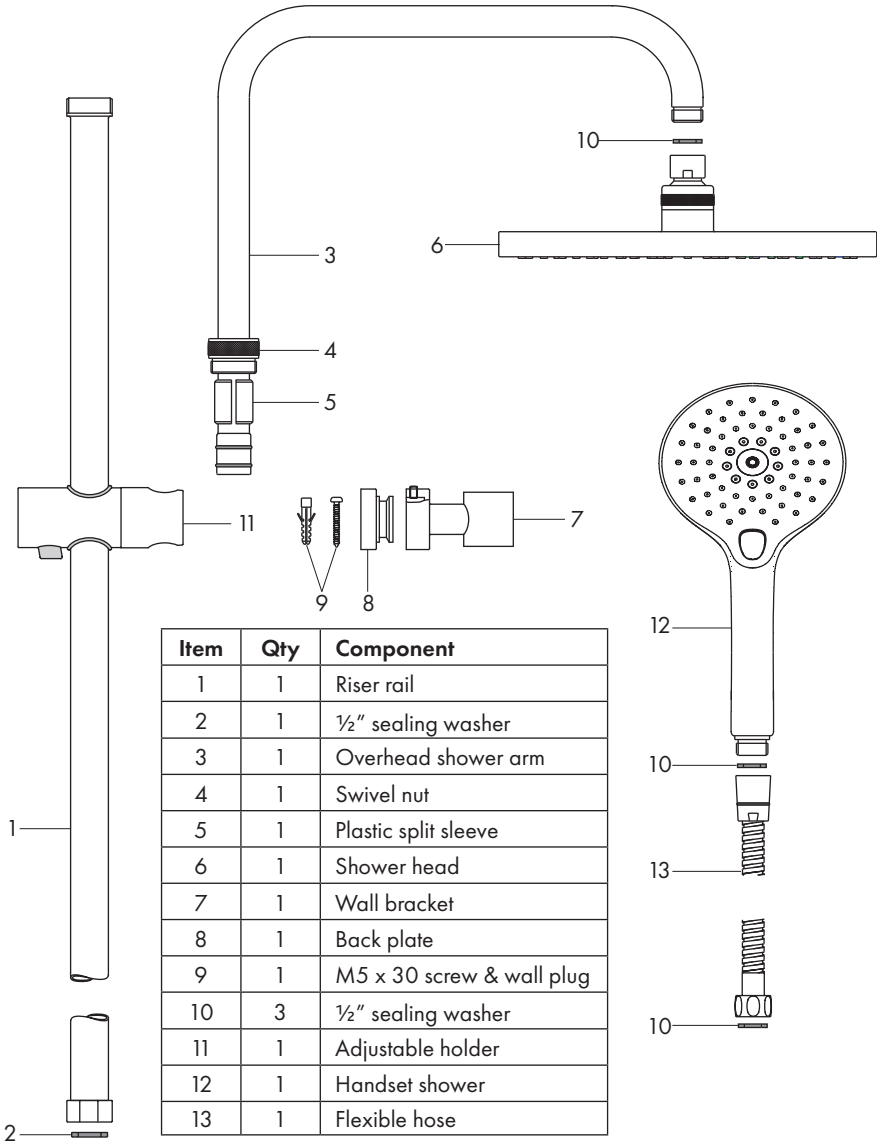
- 1 Cleaning the independent inlet strainers.
- 2 Cleaning and servicing the thermostatic cartridge - the complete cartridge must be removed.

## Problem Solving

The following details are supplied for on site queries, should you require any further assistance our Technical Department can be contacted directly on 01889 272199.

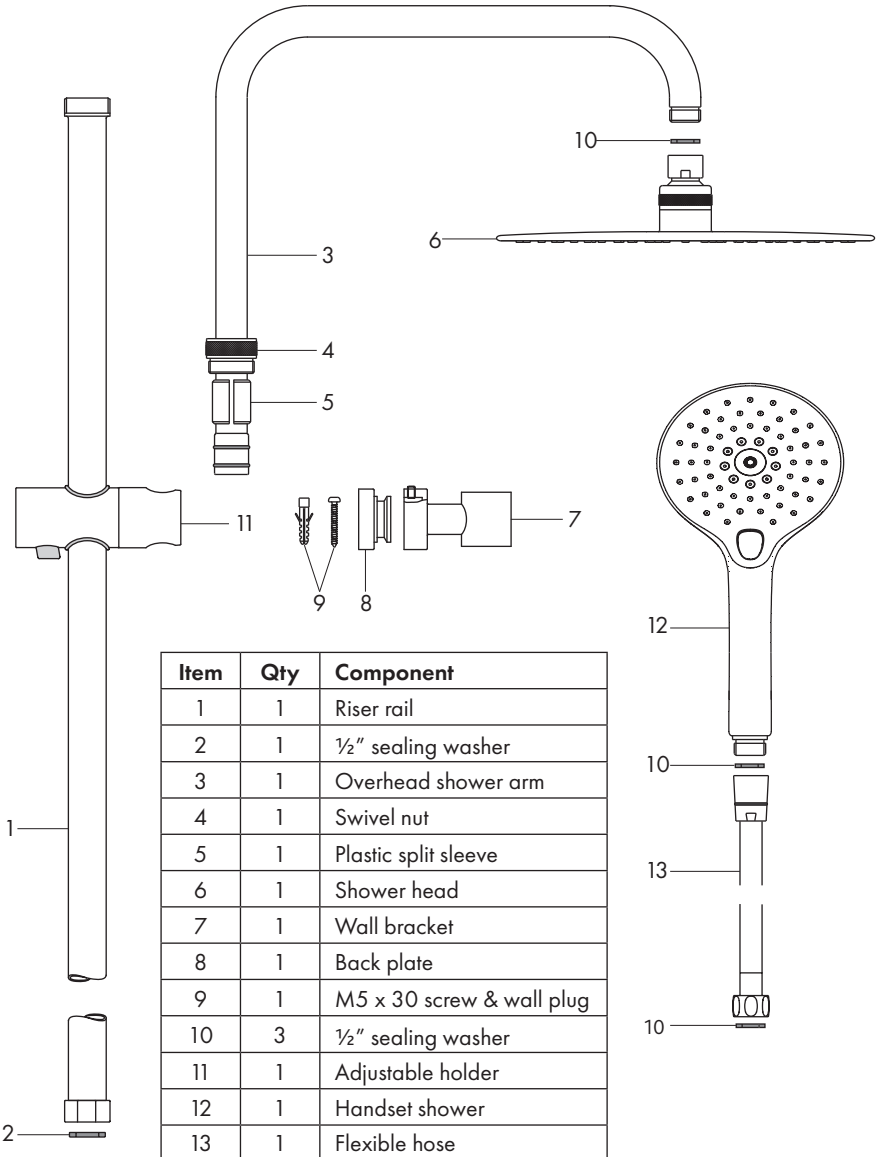
| <b>Fault</b>  | <b>Diagnosis</b>  |
|---|---|
| Showering temperature is not hot enough   | Ensure the hot water supply is at a constant temperature of 60 °C or 50 °C for HIU.<br>(Note: Failsafe function may be affected when the hot water supply is less than 60 °C)<br>Check for air locks in the pipework.<br>Thermostatic cartridge movement limited due to lime scale build up |
| The water goes cold during showering  | Insufficient stored hot water.<br>Check the supply temperature when used with a HIU<br>When used with a combi boiler confirm that the boiler is still firing.<br>Adjust the boiler to 65 °C which may not necessarily be the best flow rate.  |
| When the water is set at cold, the showering temperature is too hot             | Hot and Cold supply connections have been reversed.<br>Thermostatic cartridge movement limited due to lime scale build up   |
| Maximum showering temperature is too hot or when set to hot the water runs cold | Check the commissioned maximum temperature of the valve.<br>Check the connections to the valve are not reversed.<br>Thermostatic cartridge movement limited due to lime scale build up  |
| Flow of water through the valve is low  | Check the filters are clean and the supply pressure is above 0.2 bar  |
| No flow of water  | Ensure the valve has not fail-safed, and check that there is hot and cold water flow to the valve.<br>Ensure the check valves are not closed  |
| Shower is stiff to operate  | Build-up of limescale on flow control cartridge - service and de-scale  |

## Rise Rail - Components - IX200020CP



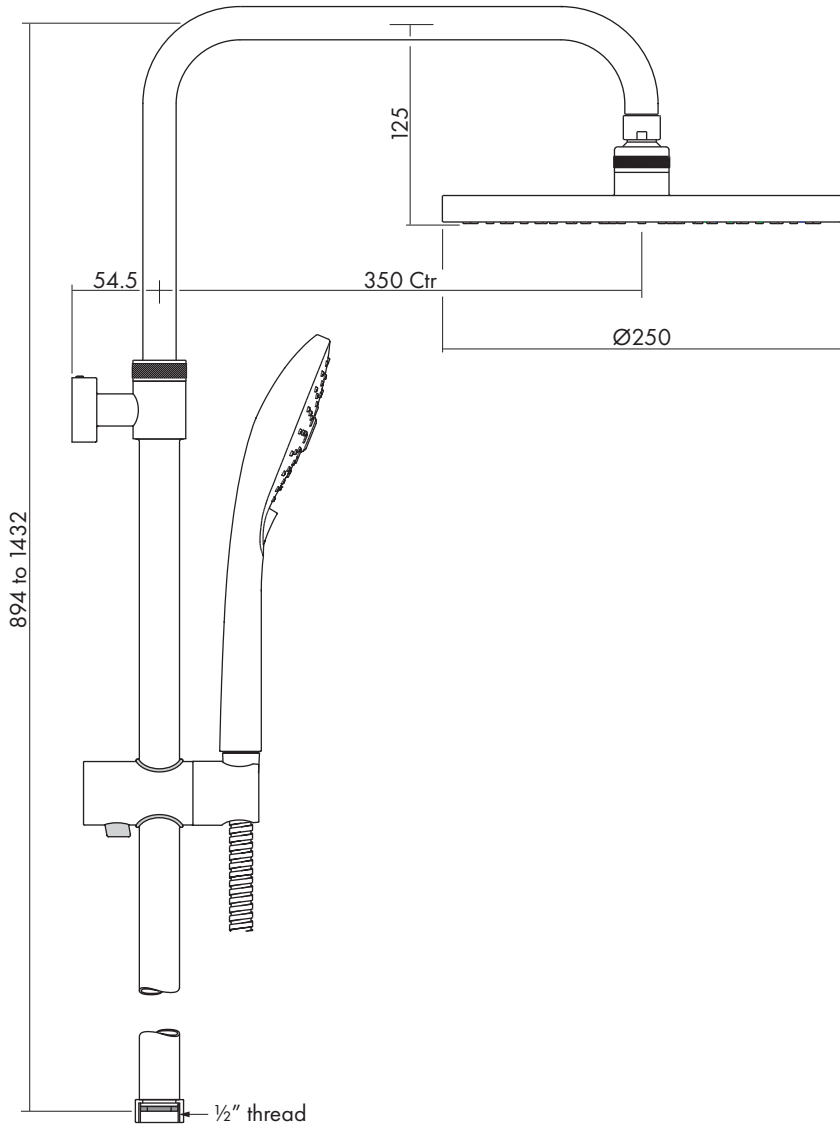
The diagram is for illustration purposes only as Inta reserves the right to change the design without notice

## Rise Rail - Components - IX200025CP & IX200025BK



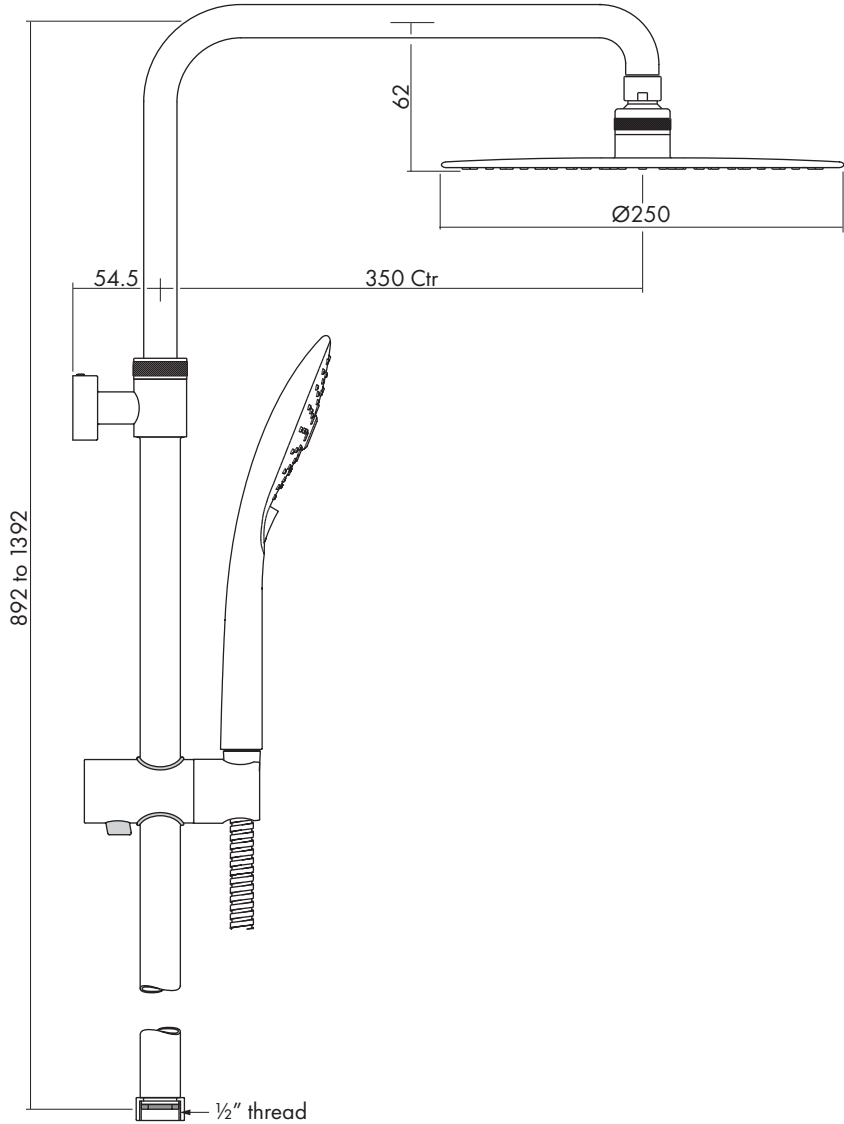
The diagram is for illustration purposes only as Inta reserves the right to change the design without notice  
 © Intotec Ltd 2024

**Rise Rail - Dimensions - IX200020CP**



Note: drawing for illustration purposes only

**Rise Rail - Dimensions - IX200025CP & IX200025BK**



Note: drawing for illustration purposed only



## Telescopic Rise Rail - Installation

Fit the shower valve and finish tiling the wall prior to installing the shower riser.

Ensure that the outlet from the fixed shower will be over a suitable shower tray or bath.

Screw the riser rail tightly into the wall bracket. The riser rail is screwed into the opposite side from the grub screw.

Locate the back plate into the wall bracket.

Using the 3/4" sealing washer assemble the riser rail to the shower valve and position the back plate onto the wall ensuring the riser rail is vertical.

Mark round the wall brackets with a removable marker onto the wall.

Remove the riser rail and the back plate.

Reposition the back plate onto the wall within the markings and using the elongated hole as a template, drill a 6mm diameter hole.

If drilling into ceramic tiles use a ceramic bit.

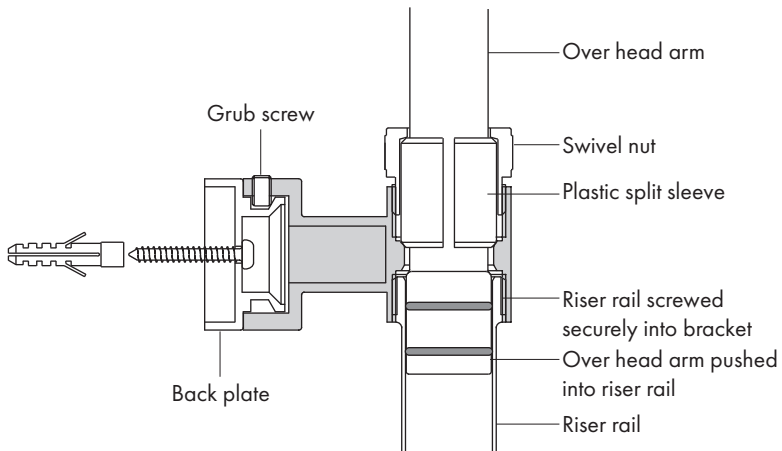
To avoid cracking ensure the wall plug is pushed all the way behind the ceramic tile.

The back plate has an elongated hole allowing 3mm of vertical adjustment.

Using the screw provided secure the back plate firmly to the wall. This is the main fixing screw for the riser and shower so must be held securely by the plastic plug in the wall.

If the wall is plaster board or soft building block use special wall plugs obtainable from most DIY stores.

## Telescopic Rise Rail - Assembly



---

## **Telescopic Riser Rail - Assembly**

Fit the fixed shower head to the arm using a ½" sealing washer and tighten the retaining nut to hold secure.

Push the shower arm into the riser rail as shown taking care not to damage the two 'O' rings. Push the plastic split sleeve into the bracket and hand tighten the swivel retaining nut.

**Note:** The plastic split sleeve is an important part of the gripping mechanism and must be located correctly in the wall bracket, this is not a packaging component.

Fit the shower assembly to the back plate and shower valve using the ¾" sealing washer.

The shower assembly should locate easily onto the back plate and shower valve, if not loosen the retaining screw and reposition the backplate.

Tighten the ¾" nut securing the riser rail to the shower valve to make a water tight joint and the grub screw to secure the wall bracket to the back plate.

Hold the riser rail in one hand and push the shower arm to the required height and position with the other, once in the correct position tighten the swivel nut to hold in the set position.

If used with a dual outlet shower valve connect the hand shower to the flexible hose and the hose to the appropriate outlet on the shower valve, ensure the ½" sealing washers are fitted.

Turn on the water supply and check joints for leakage.

## **Height Adjustment**

The height and position of the overhead shower arm may be adjusted at any time by loosening the swivel nut, adjusting the arm to increase or reduce the height of the shower head or by rotating it's position.

Re-tighten the swivel nut to hold secure.

**IMPORTANT**

**The IX200020CP, IX200025CP & IX200025BK is generally in accordance with but not approved to TMV2.**

The following information is required when the thermostatic shower valve is used in a TMV2 Applications under the requirements of BS EN 1111: 2017 “Sanitary tapware – Thermostatic Mixing Valve (PN 10) – General Technical Specification”

**Supply Conditions**

The supply conditions to the Thermostatic Mixing Valve must comply with the following;

| Conditions                                       | High Pressure ~ BS EN 1111 |
|--|----------------------------|
| Maximum Static Pressure                          | 10 bar                     |
| Flow Pressure, Hot & Cold                        | 1.0 to 5.0 bar             |
| Hot Supply Temperature                           | 55 to 65 °C                |
| Cold Supply Temperature                          | 5 to 20 °C                 |
| Temperature Stability                            | ± 2 °C                     |
| Min Temp Differential (Mix to Hot) for fail-safe | 10 °C                      |
| Max. Pressure Inlet Differential                 | 5:1                        |

**Note:** Valves operating outside these conditions cannot be guaranteed by the Scheme to operate as type 2 valves.

- The valves designation of use, **HP-S** tested against BS EN 1111.
- For valves designated for use HP only, if a water supply is fed by gravity then the supply pressures should be verified to ensure the conditions of use are appropriate for the valve.

**Introduction**

The thermostatic shower valve has been specifically designed and manufactured to meet the requirements of BS EN 1111:2017 and TMV2 Type Scheme.

## Recommended Outlet Temperatures

The recommends maximum mixed water outlet temperature for use in all premises:

| Application | Recommended Hot Water Temperature |
|-------------|-----------------------------------|
| Shower      | 41 °C                             |

The mixed water temperature must never exceed 43 °C.

The maximum mixed water temperature can be 2 °C above the recommended maximum set outlet temperature.

**Note:** 43 °C is the maximum mixed water temperature from a shower mixer. The maximum temperature takes account of the allowable tolerances inherent in thermostatic shower mixers and temperature losses.

### **It is not a safe bathing Temperature for adults or children.**

The British Burns Association recommends 37 to 37.5 °C as a comfortable bathing temperature for children. In premises covered by the Care Standard Act 2000, the maximum mixed water outlet temperature is 43 °C.

## Installation

**Important:** - The following instructions must be read prior to the installation of the thermostatic shower valve. The installer of the thermostatic shower valve must comply with the requirements of the Water supply (Water Fittings) Regulations 1999 and also be aware of their responsibility and duty of care to ensure that all aspects of the installation comply with the regulations.

It has been brought to our attention that flushing water systems using certain chemicals may wholly or partially remove the lubricant from the internal workings of the valve, which may adversely affect its performance. We recommend that following flushing the system with chemicals; valves are checked for correct operation.

1. It is essential that before installing any thermostatic shower valve to ensure that the supply conditions of the system to which the valve is intended to be fitted are checked to confirm compliance with the parameters as quoted within the technical specification and conditions on which the approval is granted i.e. verify supply temperatures, supply pressures, risk assessment.
2. Consideration must be made for the possibility of multiple / simultaneous demands being made on the supply system whilst the thermostatic shower valve is in use, all practical precautions must be made to ensure that the valve is not affected. Failure to make provision within the pipe sizing etc. will affect the performance of the shower valve.

---

## **Installation Continued**

3. The supply to which the thermostatic shower valve is to be installed must be thoroughly flushed and cleaned to remove any debris, which may have accumulated during the installation. Failure to remove any debris will affect the performance and the manufacturer's warranty of the product. In areas that are subject to aggressive water, provision must be made to treat the supplies prior to the supplies entering the shower valve.
4. The thermostatic shower valve has been designed for horizontal installation and surface mounting.
5. The thermostatic shower valve will be installed in such a position that maintenance of its components, associated valves and the commissioning and testing of the shower valve can be undertaken.
6. The hot and cold water supplies must be connected to the valve strictly in accordance with the indications on the body of the valve i.e. hot water supply to the hot port of the valve.
7. In a situation where one or both of the water supplies are excessive, it is recommended to fit a Pressure Reducing Valve to reduce the pressure(s) to within the limits as quoted previously.
8. Any thermostatic shower valve must be fitted with a back flow prevention device, such as check valves to prevent the cross contamination of supplies. The thermostatic shower valve is supplied complete with integral insert check valves and strainers.
9. Isolation valves in an accessible position are required as close as is practicable to the water supply inlets of the thermostatic shower valve.
10. The fitting of strainers is recommended as close as is practicable to the water supply inlets of the thermostatic shower valve.
11. It is essential that the fail safe thermostatic shower valve should not be installed in situations where there is a possibility of the valve being deprived of water or where demands for water are greater than the actual stored supplies.
12. To ensure that the performance levels of the thermostatic shower valve are maintained (in the event of cold water failure), the temperature of the hot water supply at the point of entry to the thermostatic shower valve must be a minimum of 10 °C above the commissioned mixed water discharge temperature.
13. The fail-safe thermostatic shower valve must not be subject to any extreme temperature variations either during the installation or under normal operating conditions.

---

## Commissioning

**Important:** - The following instructions must be read and understood prior to commissioning the thermostatic shower valve. If under any circumstances there are aspects to the installation / system which do not comply with the specification laid down, the valve **MUST NOT** be put into operation until the system / installation complies with the specification. However if all these conditions are met, proceed to set the temperature as follows;

1. Ensure that the system is thoroughly cleaned and free from any debris prior to commissioning the thermostatic shower valve.
2. Commissioning the temperatures must be carried out using a suitably calibrated thermometer, preferably a digital thermometer. The sensing part of the thermometer probe must be fully submerged in the water when testing.
3. The valve must be commissioned taking into consideration any fluctuations, which may occur within the system due to simultaneous demands. It is advisable that any outlets which are connected to the same supply as the shower valve are open during setting of the mixed water temperature. It is advisable to ensure that the water temperatures are established before any attempt to commission.
4. Once the supply temperatures are stable and the normal operating conditions are established, the shower valve can be commissioned. The following sequence should be followed when commissioning the valve;
  - 4.1 The first step in commissioning a thermostatic shower valve is to check the following:
    - The designation of the thermostatic shower valve matches the application
    - The supply pressures are within the valve's operating range.
    - The supply temperatures are within the valve's operating range.
    - Isolating valves (and 'Y' strainers preferred) are provided.
  - 4.2 If all these conditions are met, proceed to set the temperature following the procedure described earlier in the Calibration section on page 8.
  - 4.3 Measure and record the temperature of the hot and cold water supplies at the connection to the valve - should be set to 38 °C at security button.
  - 4.4 Measure and record the temperature of the water discharging from the valve.
  - 4.5 Isolate the cold water supply to the valve and monitor the mixed water temperature.
  - 4.6 Measure and record the maximum mixed water temperature and the final temperature. The final temperature found during the test should not exceed the values quoted.
  - 4.7 Record all the equipment used during the commissioning.
  - 4.8 The mixed water temperature at the terminal fitting must never exceed 2 °C above the set temperature.

---

## **Commissioning Continued**

5. If the mixed water temperature exceeds the recommended temperature of 41 °C by 2 °C or does not reach 41 °C the shower valve can be adjusted as follows:
  - 5.1 With stable supply conditions remove the temperature control knob.
  - 5.2 Rotate the temperature control knob by one spline clockwise to increase the temperature and one spline anticlockwise to reduce it.
  - 5.3 Measure the water discharging from the shower.
  - 5.4 Repeat 5.2 until the desired temperature is stabilised and record the temperature.
  - 5.5 Repeat 4.4 and 4.5
  - 5.6 Secure the temperature control knob with the retaining screw and re-fit the cover.
6. The above information must be recorded and updated on every occasion when any work is carried out on the valve.

## **In Service Testing**

It is recommended that all valves shall be verified against the original set temperature results once a year. When commissioning / testing is due the following performance checks shall be carried out.

1. Measure the mixed water temperature at the outlet.
2. Carry out the cold water supply isolation test by isolating the cold water supply, wait for five seconds if water is still flowing check that the temperature is below 43 °C.
3. If there is no significant change to the set outlet temperature ( $\pm 2$  °C or less from the original settings) and the fail-safe shut off is functioning, then the valve is working correctly and no further service work is required.

### **Notes:**

- If there is a residual flow during the commissioning or the annual verification (cold water supply isolation test), then this is acceptable providing the temperature of the water seeping from the valve is no more than 2 °C above the designated maximum mixed water outlet temperature setting of the valve.
- Temperature readings should be taken at the normal flow rate after allowing for the system to stabilise.
- The sensing part of the thermometer probe must be fully submerged in the water to be tested.
- Any thermostatic shower that has been adjusted or serviced must be re-commissioned and re-tested in accordance with the manufacturers' instructions

inspiration

---

**Please leave this Manual for the User**

To activate your product warranty please visit

**[www.intatec.co.uk](http://www.intatec.co.uk)**

and click on Product Registration

inspiration

**Intatec Ltd**

Airfield Industrial Estate

Hixon

Staffordshire

ST18 0PF

Tel: **01889 272 180**

email: **[sales@intatec.co.uk](mailto:sales@intatec.co.uk)**

web: **[www.intatec.co.uk](http://www.intatec.co.uk)**

E & O.E

© Intatec Ltd 2024

17-10-24