

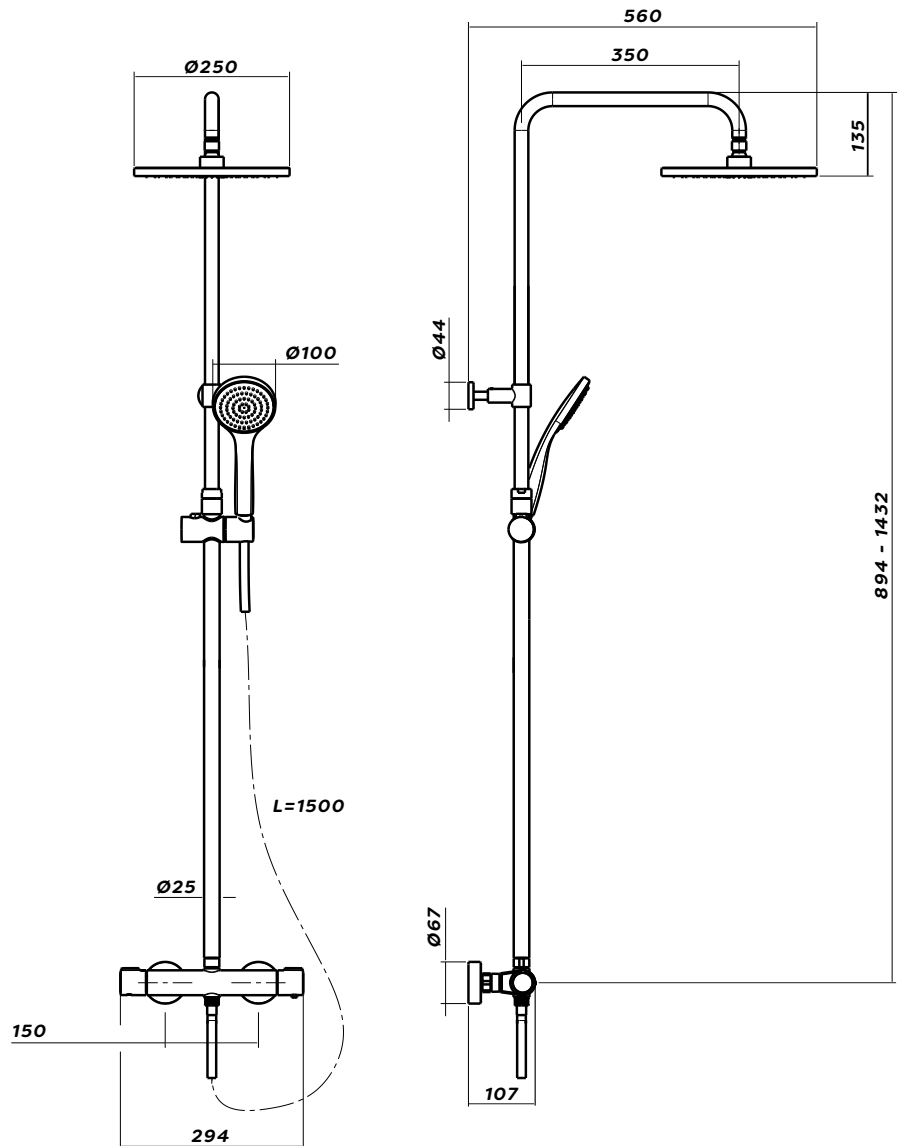
Product

IX200020CP - Enzo Safe-Touch Dual Outlet Thermostatic Shower with Telescopic Riser Kit, Overhead Soaker & Handset

Technical Specification

Max Inlet Pressure (static):	5 Bar
Min Inlet Pressure (dynamic):	0.5 Bar
Max Inlet Temperature:	65°C
Factory Pre-set Temperature:	38°C with max temp stop
Temperature Stability:	+/-2°C
Inlet Connections with fast fix:	15mm
Outlet Connection:	G1/2" BSP

Min Temperature Differential Between Hot Inlet and Mixed Outlet to Achieve Cold Water Failsafe: **15°C**



894 - 1432

Additional Information

Anti-scald thermostatic technology with fail safe protection on both the hot and cold supplies

Safe-touch body

Fully adjustable telescopic riser kit with large overhead soaker

Metal Handles

Double cross-linked anti-twist hose

Sliding handset holder

Single function handset

Fast fix brackets