

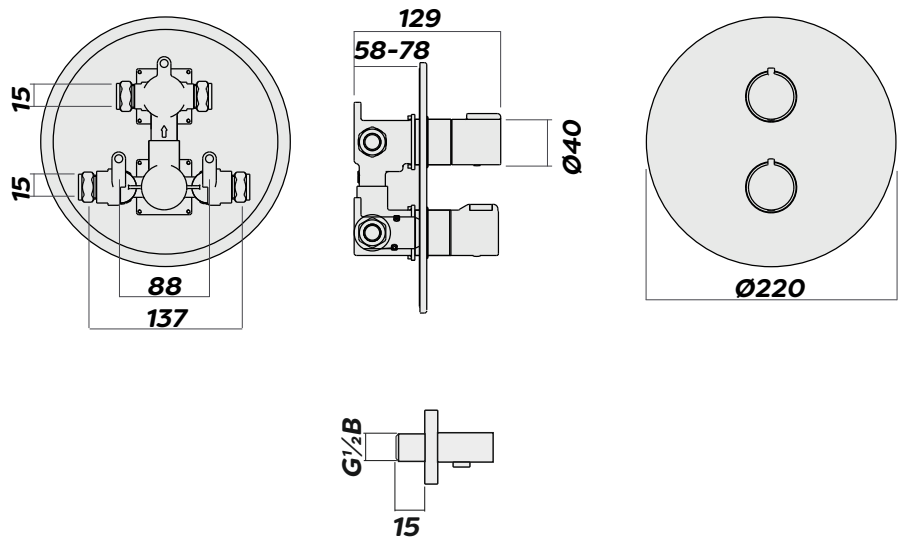


Product

IX600014CP - Enzo Concealed Dual Outlet Thermostatic Shower with Overhead Arm, Soaker and Rinse Station

Technical Specification

Max Inlet Pressure (static):	5 Bar
Min Inlet Pressure (dynamic):	0.5 Bar
Max Inlet Temperature:	65°C
Factory Pre-set Temperature:	38°C with max temp stop
Temperature Stability:	+/-2°C
Inlet Connections with fast fix:	15mm
Outlet Connections:	G1/2" BSP
Min Temperature Differential Between Hot Inlet and Mixed Outlet to Achieve Cold Water Failsafe	15°C



Additional Information

Anti-scald thermostatic technology with fail safe protection on both the hot and cold supplies

Double cross-linked anti-twist hose

Multi-function handset with eco air reduced flow rate

Compact outlet and combined holder

Large overhead soaker

